



Directional Control Valves Technical Information

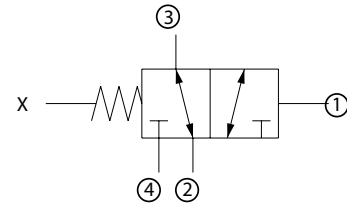
2-Position, 3-Way, External Pilot

CP722-2

OPERATION

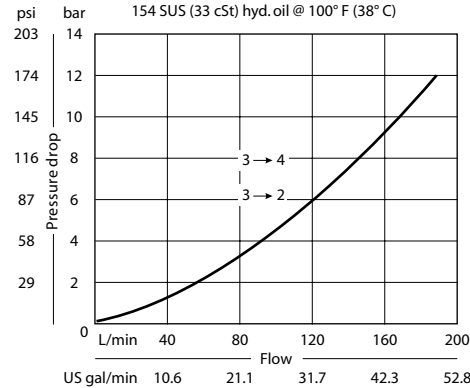
This valve is a 3-way double hydraulically piloted spool.

Schematic



SPECIFICATIONS

Theoretical performance



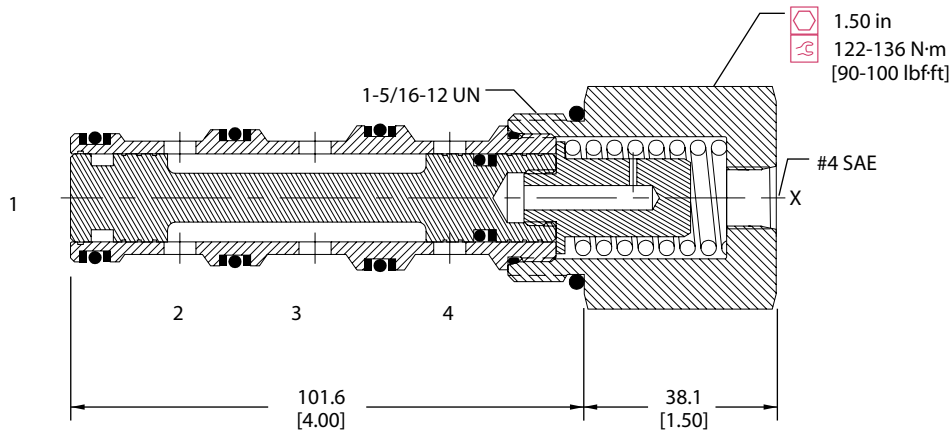
Specifications

Rated pressure	210 bar [3000 psi]
Rated flow at 7 bar [100 psi]	130 l/min [34 US gal/min]
Weight	0.61 kg [1.34 lb]
Cavity	CP16-4

DIMENSIONS

mm [in]

Cross-sectional view



ORDERING INFORMATION

CP722 - 2 - B - 16S - 150 - S1

Seals

B = Buna-N
V = Viton

Seal kit
120025
120026

Spool seals

S1 = Seal at top of spool
S2 = Seals at both ends of spool
S3 = No seals
S4 = Seal at bottom of spool

Housing and ports

0 = No Housing
6B = AL, 3/4 BSP
8B = AL, 1 BSP
12S = AL, #12 SAE
16S = AL, #16 SAE
Other housings available

Housing P/N

No Housing
CP16-4-6B
CP16-4-8B
CP16-4-12S
CP16-4-16S

Shift pressure

Shift pressure	bar	[psi]
040	2.8	[40]
080	5.5	[80]
150	10.3	[150]

shift pressure assumes no seals