



Directional Control Valves Technical Information

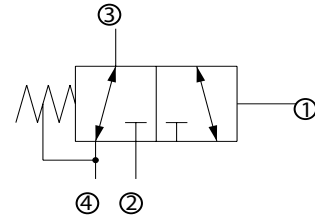
2-Position, 3-Way, Hydraulic Vent

CP722-5

OPERATION

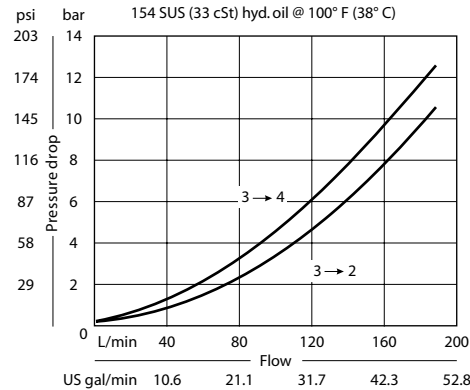
This valve is a 3-way hydraulically piloted spool.

Schematic



SPECIFICATIONS

Theoretical performance



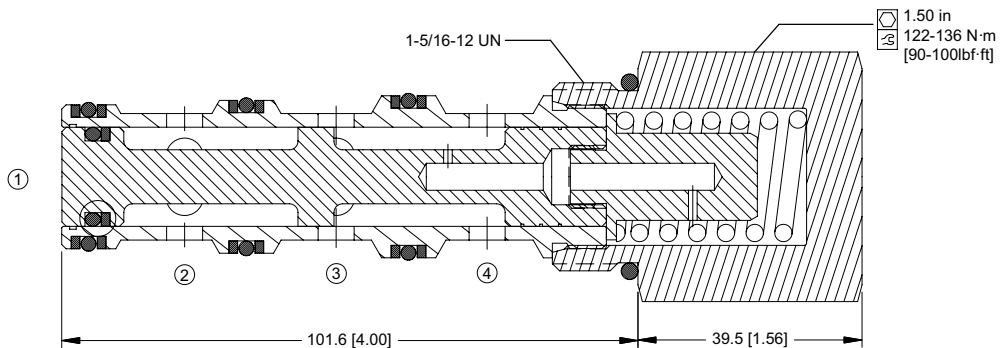
Specifications

Rated pressure	210 bar [3000 psi]
Rated flow at 7 bar [100 psi]	130 l/min [34 US gal/min]
Weight	0.61 kg [1.34 lb]
Cavity	CP16-4

DIMENSIONS

mm [in]

Cross-sectional view



ORDERING INFORMATION

CP722 - 5 - B - 16S - 150 - S3

Seals

B = Buna-N
V = Viton

Housing and ports

0 = No Housing
6B = AL, 3/4 BSP
8B = AL, 1 BSP
12S = AL, #12 SAE
16S = AL, #16 SAE
Other housings available

Housing P/N

No Housing
CP16-4-6B
CP16-4-8B
CP16-4-12S
CP16-4-16S

Spool seals

S3 = No seal
S4 = Seal at bottom of spool

Shift pressure

bar [psi]
040 = 2.8 [40]
080 = 5.5 [80]
150 = 10.3 [150]
shift pressure assumes no seals