



# Directional Control Valves Technical Information

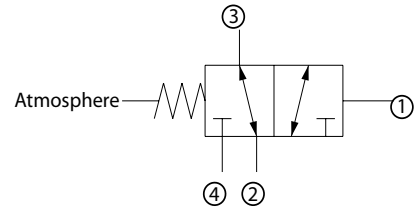
## 2-Position, 3-Way, Atmospheric Vent

### CP723-1

#### OPERATION

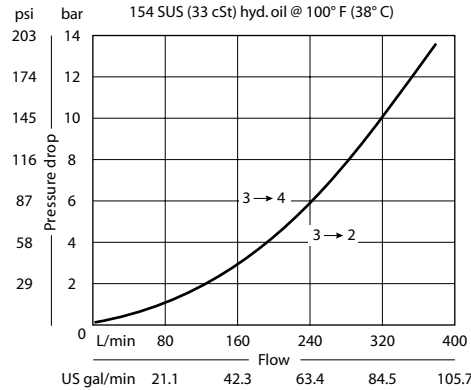
This valve is a 3-way hydraulically piloted spool with atmospheric vent.

#### Schematic



#### SPECIFICATIONS

##### Theoretical performance



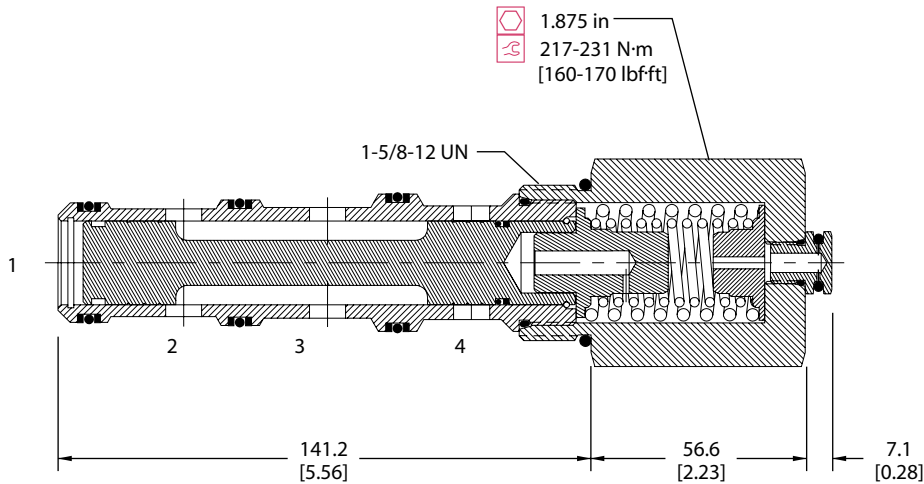
##### Specifications

Rated pressure	210 bar [3000 psi]
Rated flow at 7 bar [100 psi]	265 l/min [70 US gal/min]
Weight	1.22 kg [2.68 lb]
Cavity	<b>SDC20-4</b>

#### DIMENSIONS

mm [in]

##### Cross-sectional view



#### ORDERING INFORMATION

CP723 - 1 - B - 20S - 150 - S1

##### Seals

B = Buna-N  
V = Viton

Seal kit  
120181  
120182

##### Housing and ports

0 = No Housing  
8B = AL, 1 BSP  
10B = AL, 1-1/4 BSP  
16S = AL, #16 SAE  
20S = AL, #20 SAE  
Other housings available

##### Housing P/N

No Housing  
CP20-4-8B  
CP20-4-10B  
CP20-4-16S  
CP20-4-20S

##### Spool seals

S1 = Seal at top of spool (required)  
S2 = Seals at both ends of spool

##### Shift pressure

	bar	[psi]
050	3.5	[50]
080	5.5	[80]
100	6.9	[100]
130	9.0	[130]
150	10.3	[150]