



Directional Control Valves Technical Information

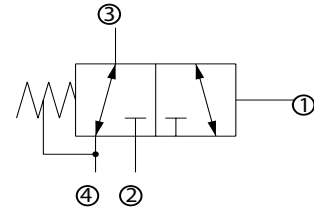
2-Position, 3-Way, Hydraulic Vent

CP723-5

OPERATION

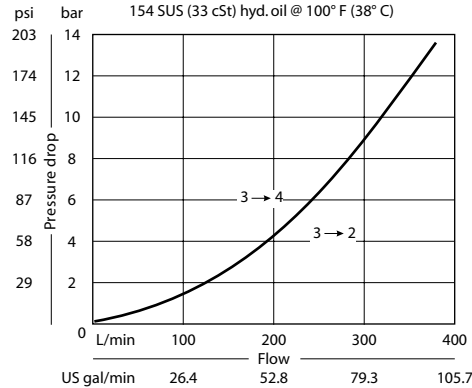
This valve is a 3-way hydraulically piloted spool.

Schematic



SPECIFICATIONS

Theoretical performance



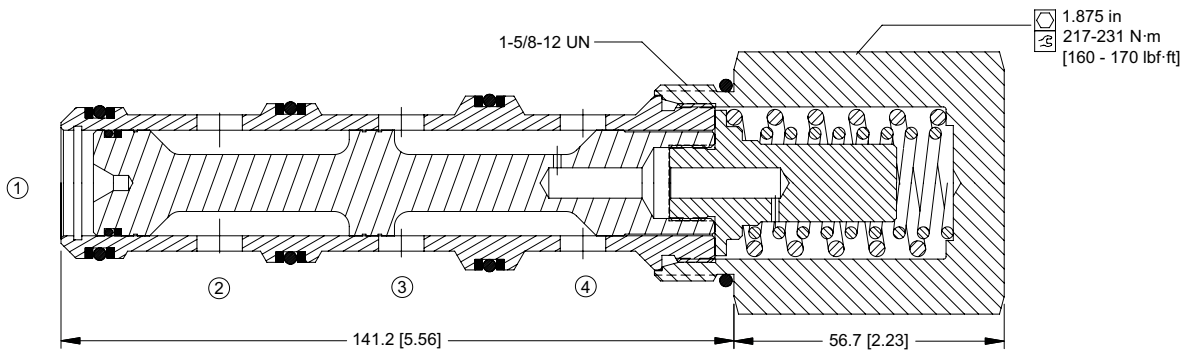
Specifications

Rated pressure	210 bar [3000 psi]
Rated flow at 7 bar [100 psi]	265 l/min [70 US gal/min]
Weight	1.22 kg [2.68 lb]
Cavity	SDC20-4

DIMENSIONS

mm [in]

Cross-sectional view



ORDERING INFORMATION

CP723 - 5 - B - 20S - 150 - S3

Seals

B = Buna-N
V = Viton

Housing and ports

00 = No Housing
8B = AL, 1 BSP
10B = AL, 1-1/4 BSP
16S = AL, #16 SAE
20S = AL, #20 SAE
Other housings available

Seal kit
120181
120182

Housing P/N

No Housing
CP20-4-8B
CP20-4-10B
CP20-4-16S
CP20-4-20S

Spool seals

S3 = No seal
S4 = Seal at bottom of spool

Shift pressure

Shift pressure (bar)	Shift pressure (psi)
050	3.5 [50]
080	5.5 [80]
100	6.9 [100]
130	9.0 [130]
150	10.3 [150]

shift pressure assumes no seals