



Directional Control Valves Technical Information

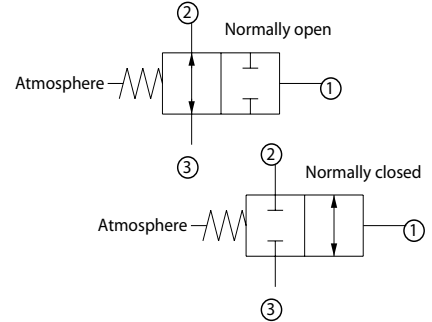
2-Position, 2-Way, Atmospheric Vent

CP710-1

OPERATION

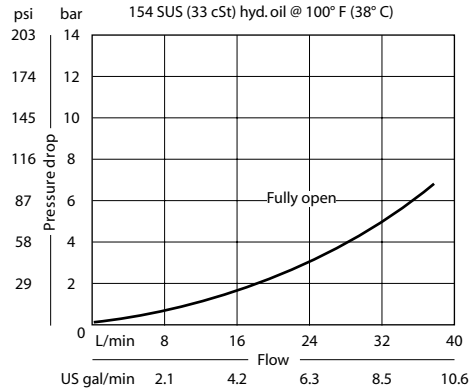
This valve is a hydraulically operated spool with atmospheric vent.

Schematic



SPECIFICATIONS

Theoretical performance



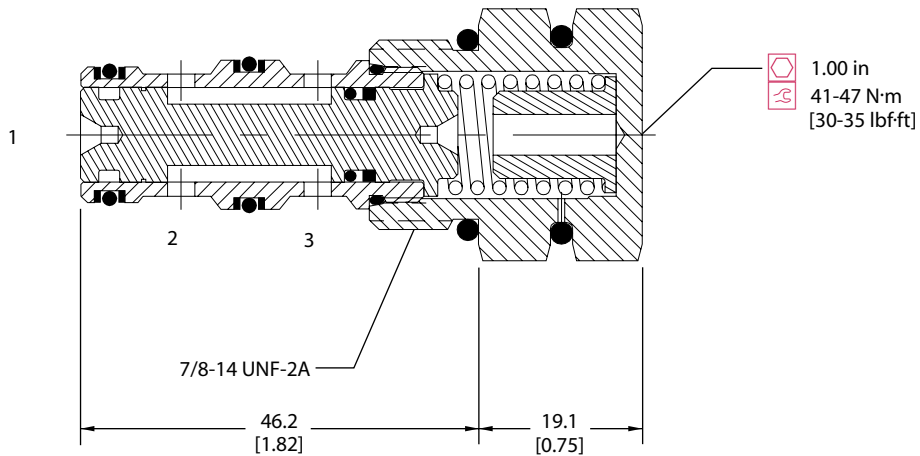
Specifications

Rated pressure	210 bar [3000 psi]
Rated flow at 7 bar [100 psi]	40 l/min [11 US gal/min]
Weight	0.13 kg [0.29 lb]
Cavity	SDC10-3

DIMENSIONS

mm [in]

Cross-sectional view



ORDERING INFORMATION

CP710 - 1 - B - 8S - C - 150 - S1

Seals

- B = Buna-N
- V = Viton

Housing and ports

- 0 = No Housing
- SE3B = AL, 3/8 BSP
- SE4B = AL, 1/2 BSP
- 6S = AL, #6 SAE
- 8S = AL, #8 SAE
- Other housings available

Seal kit

- 120009
- 120010

Housing P/N

- No Housing
- SDC10-3-SE-3B
- SDC10-3-SE-4B
- CP10-3-6S
- CP10-3-8S

Spool seals

- S1 = Seal at top of spool
- S2 = Seals at top and bottom of spool

Shift pressure

Shift pressure (bar)	Shift pressure (psi)
050	3.5 [50]
080	5.5 [80]
150	10.3 [150]

Configuration

- O = Normally open
- C = Normally closed