



Directional Control Valves Technical Information

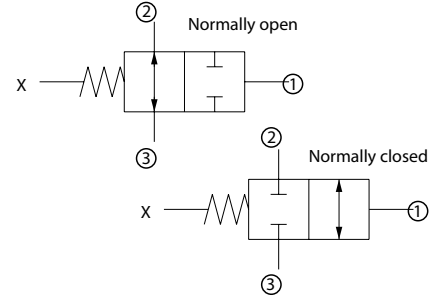
2-Position, 2-Way, External Pilot

CP710-2

OPERATION

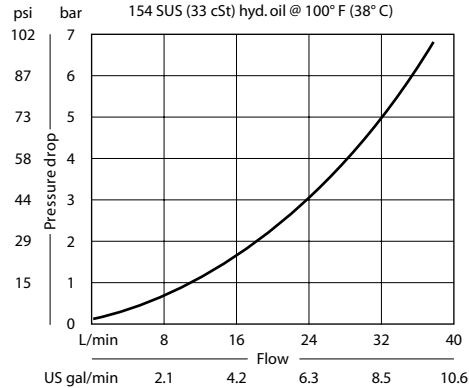
This valve is a 2-way double hydraulically piloted spool.

Schematic



SPECIFICATIONS

Theoretical performance



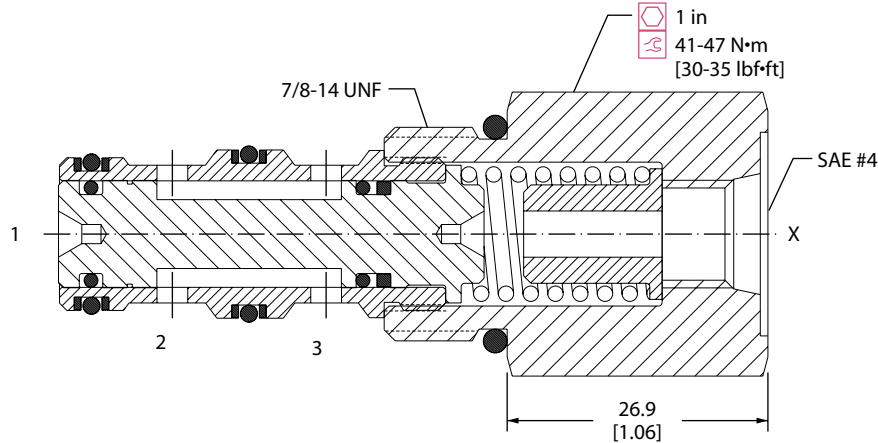
Specifications

Rated pressure	210 bar [3000 psi]
Rated flow at 7 bar [100 psi]	40 l/min [11 US gal/min]
Weight	0.13 kg [0.29 lb]
Cavity	SDC10-3

DIMENSIONS

mm [in]

Cross-sectional view



ORDERING INFORMATION

CP710 - 2 - B - 16S - C - 080 - S1

Seals	Seal kit 120009 120010	Spool seals S1 = Seal at top of spool S2 = Seal at top and bottom of spool S3 = No seals S4 = Seal at bottom of spool
B = Buna-N V = Viton	Housing P/N No Housing SDC10-3-SE-3B SDC10-3-SE-4B CP10-3-6S CP10-3-8S	Shift pressure 040 = 2.8 [40] 050 = 3.4 [50] 080 = 5.5 [80] 125 = 8.6 [125] 150 = 10.3 [150] shift pressure assumes no seals
Housing and ports 0 = No Housing SE3B = AL, 3/8 BSP SE4B = AL, 1/2 BSP 6S = AL, #6 SAE 8S = AL, #8 SAE Other housings available	Configuration O = Normally open C = Normally closed	