



Directional Control Valves Technical Information

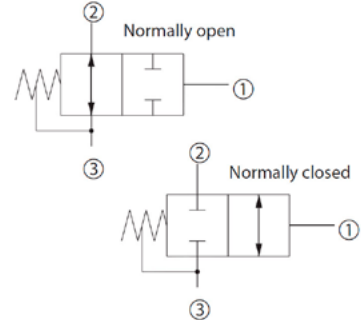
2-Position, 2-Way, Hydraulic Vent

CP710-3

OPERATION

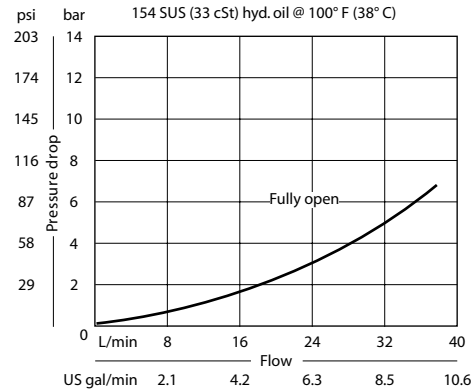
This valve is a 2-way hydraulically piloted spool.

Schematic



SPECIFICATIONS

Theoretical performance



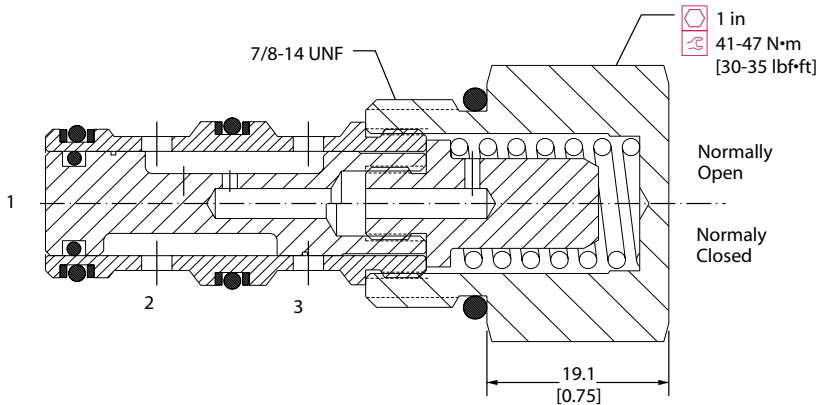
Specifications

Rated pressure	210 bar [3000 psi]
Rated flow at 7 bar [100 psi]	40 l/min [11 US gal/min]
Weight	0.13 kg [0.29 lb]
Cavity	SDC10-3

DIMENSIONS

mm [in]

Cross-sectional view



ORDERING INFORMATION

CP710-3-B-16S-C-150-S1

<p>Seals</p> <p>B = Buna-N V = Viton</p> <p>Seal kit 120009 120010</p> <p>Housing and ports 0 = No Housing SE3B = AL, 3/8 BSP SE4B = AL, 1/2 BSP 6S = AL, #6 SAE 8S = AL, #8 SAE Other housings available</p> <p>Housing P/N No Housing SDC10-3-SE-3B SDC10-3-SE-4B CP10-3 CP10-3</p> <p>Configuration O = Normally open C = Normally closed</p>	<p>Spool seal S3 = No seal S4 = With seal</p> <p>Shift pressure bar [psi] 150 = 10.3 [150] shift pressure assumes no seal</p>
---	---