



Directional Control Valves Technical Information

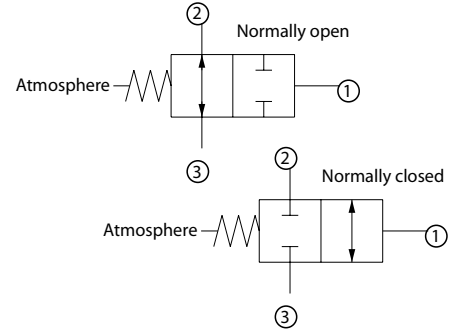
2-Position, 2-Way, Atmospheric Vent

CP712-1

OPERATION

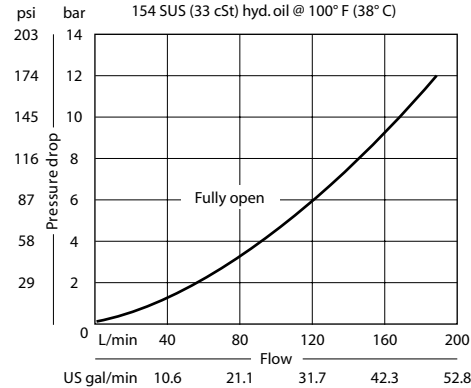
This valve is a hydraulically operated spool with atmospheric vent.

Schematic



SPECIFICATIONS

Theoretical performance



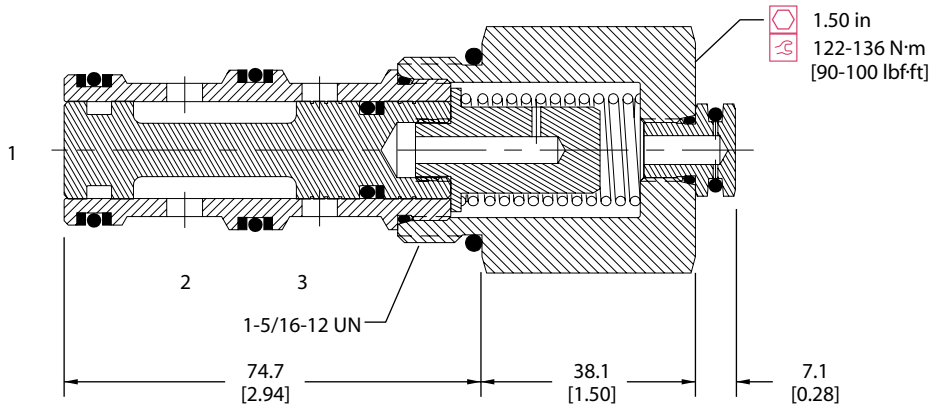
Specifications

Rated pressure	210 bar [3000 psi]
Rated flow at 7 bar [100 psi]	130 l/min [34 US gal/min]
Weight	0.57 kg [1.25 lb]
Cavity	SDC16-3

DIMENSIONS

mm [in]

Cross-sectional view



ORDERING INFORMATION

CP712 - 1 - B - 16S - C - 080 - S1

Seals		Seal kit		Spool seals	
B = Buna-N		120202		S1 = Seal at top of spool	
V = Viton		120203		S2 = Seals at top and bottom of spool	
Housing and ports		Housing P/N		Shift pressure	
0 = No Housing		No Housing		040 = 2.8 bar [40 psi]	
∅E6B = AL, 3/4 BSP		SDC16-3-SE-6B		080 = 5.5 bar [80 psi]	
∅E8B = AL, 1 BSP		SDC16-3-SE-8B		150 = 10.3 bar [150 psi]	
12S = AL, #12 SAE		CP16-3-12S			
16S = AL, #16 SAE		CP16-3-16S			
Other housings available					
		Configuration			
		O = Normally open			
		C = Normally closed			