



# Directional Control Valves Technical Information

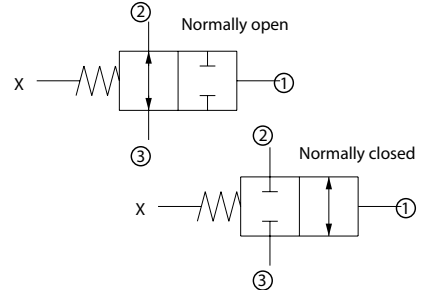
## 2-Position, 2-Way, External Pilot

### CP712-2

#### OPERATION

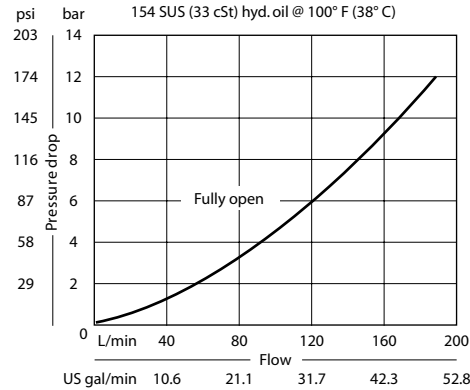
This valve is a 2-way double hydraulically piloted spool.

#### Schematic



#### SPECIFICATIONS

##### Theoretical performance



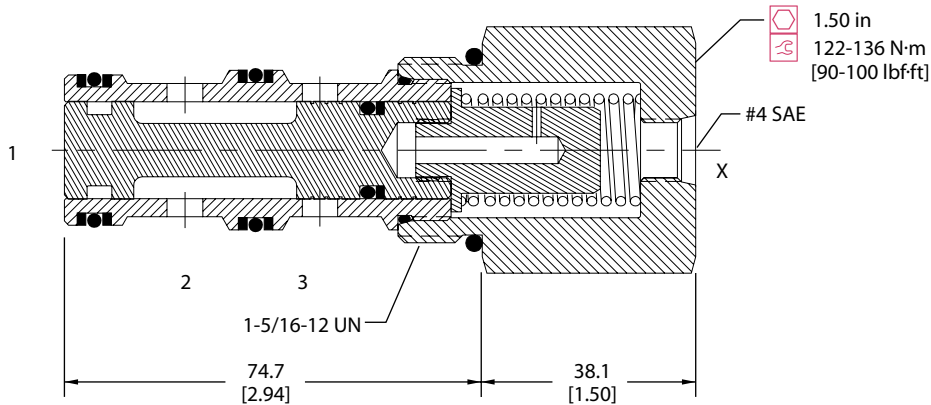
#### Specifications

Rated pressure	210 bar [3000 psi]
Rated flow at 7 bar [100 psi]	130 l/min [34 US gal/min]
Weight	0.57 kg [1.25 lb]
Cavity	<b>SDC16-3</b>

#### DIMENSIONS

mm [in]

#### Cross-sectional view



#### ORDERING INFORMATION

CP712 - 2 - B - 16S - C - 080 - S1

**Seals**

- B = Buna-N
- V = Viton

**Seal kit**

- 120202
- 120203

**Housing and ports**

- 0 = No Housing
- 5E6B = AL, 3/4 BSP
- 5E8B = AL, 1BSP
- 12S = AL, #12 SAE
- 16S = AL, #16 SAE
- Other housings available

**Housing P/N**

- No Housing
- SDC16-3-SE-6B
- SDC16-3-SE-8B
- CP16-3-12S
- CP16-3-16S

**Spool seals**

- S1 = Seal at top of spool
- S2 = Seals at top and bottom of spool
- S3 = No seals
- S4 = Seal at bottom of spool

**Shift pressure**

bar	[psi]
040	2.8 [40]
080	5.5 [80]
150	10.3 [150]

shift pressure assumes no seals

**Configuration**

- O = Normally open
- C = Normally closed