



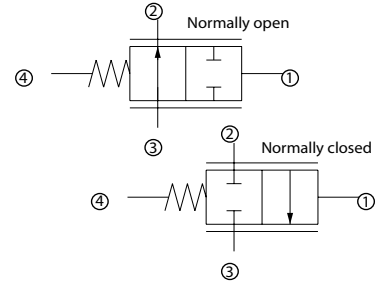
Directional Control Valves Technical Information

Normally Closed/Open, Hydraulically Piloted, Proportional CP712-7

OPERATION

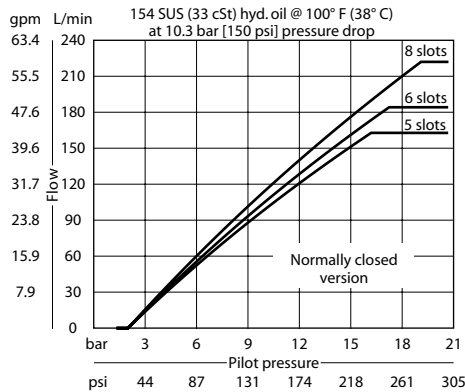
This valve is a hydraulically piloted proportional flow control.

Schematic



SPECIFICATIONS

Theoretical performance



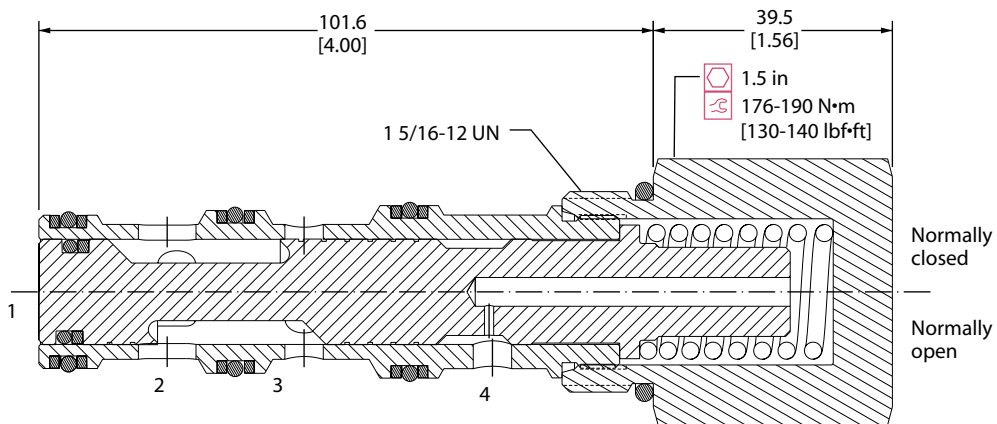
Specifications

Rated pressure	210 bar [3000 psi]
Rated flow at 10 bar [150 psi]	220 l/min [58 US gal/min]
Weight	0.61 kg [1.34 lb]
Cavity	CP16-4

DIMENSIONS

mm [in]

Cross-sectional view



ORDERING INFORMATION

CP712-7-B-12S-C-5-S4

Spool seal

S3 = No spool seal
S4 = With spool seal

Sleeve option

5 = 5 slots
6 = 6 slots
8 = 8 slots

Spool configuration
C = Normally closed
O = Normally open

Housing and ports

0 = No Housing
6B = AL, 3/4 BSP
8B = AL, 1 BSP
12S = AL, #12 SAE
16S = AL, #16 SAE

Seals

B = Buna-N
V = Viton

Seal kit
120025
120026

Housing P/N

No Housing
CP16-4-6B
CP16-4-8B
CP16-4-12S
CP16-4-16S