



# Directional Control Valves Technical Information

## 2-Position, 2-Way

### CP712-11

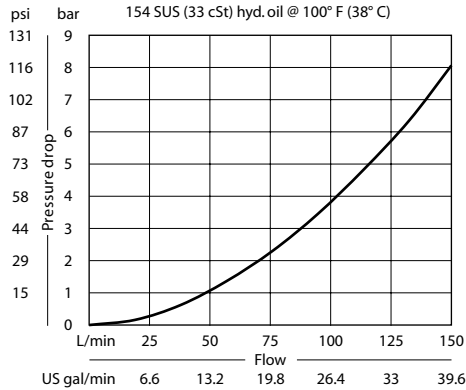
#### OPERATION

This valve is a 2-way double hydraulically piloted spool.

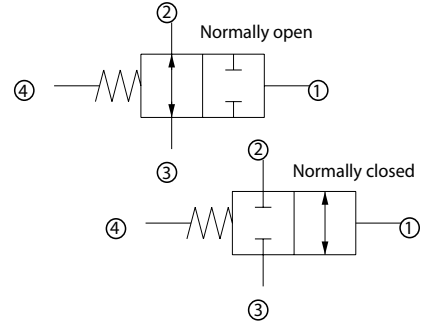
Note: Maximum pressure at port 4 is 210 bar [3000 psi].

#### SPECIFICATIONS

##### Theoretical performance



#### Schematic



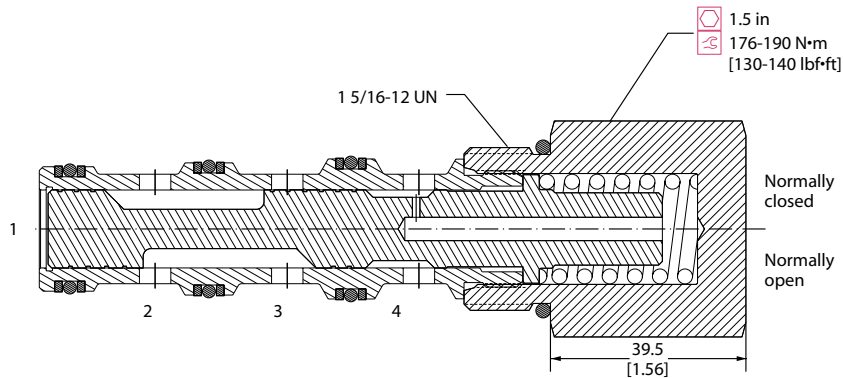
#### Specifications

Rated pressure	450 bar [6500 psi]
Rated flow at 7 bar [100 psi]	130 l/min [34 US gal/min]
Leakage	328 cm <sup>3</sup> /min [20 in <sup>3</sup> /min] @ 210 bar [3000 psi]
Weight	0.61 kg [1.34 lb]
Cavity	<b>CP16-4</b>

#### DIMENSIONS

mm [in]

#### Cross-sectional view



#### ORDERING INFORMATION

CP712-11-U-0-C-040

- Shift pressure**  
040 = 2.8 bar [40 psi]  
080 = 5.5 bar [80 psi]
- Configuration**  
O = Normally open  
C = Normally closed
- Housing and ports**  
0 = No Housing  
6B = AL, 3/4 BSP  
8B = AL, 1 BSP  
12S = AL, #12 SAE  
16S = AL, #16 SAE  
Other housings available
- Seals**  
U = Urethane Seal kit 120677

**Housing P/N**  
No Housing  
CP16-4-6B  
CP16-4-8B  
CP16-4-12S  
CP16-4-16S