



Directional Control Valves Technical Information

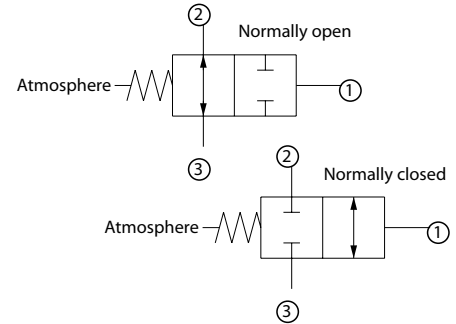
2-Position, 2-Way, Atmospheric Vent

CP713-1

OPERATION

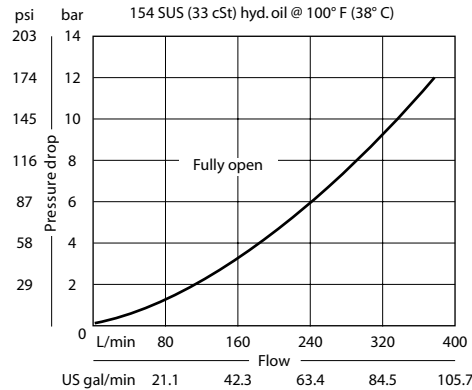
This valve is a hydraulically operated spool with atmospheric vent.

Schematic



SPECIFICATIONS

Theoretical performance



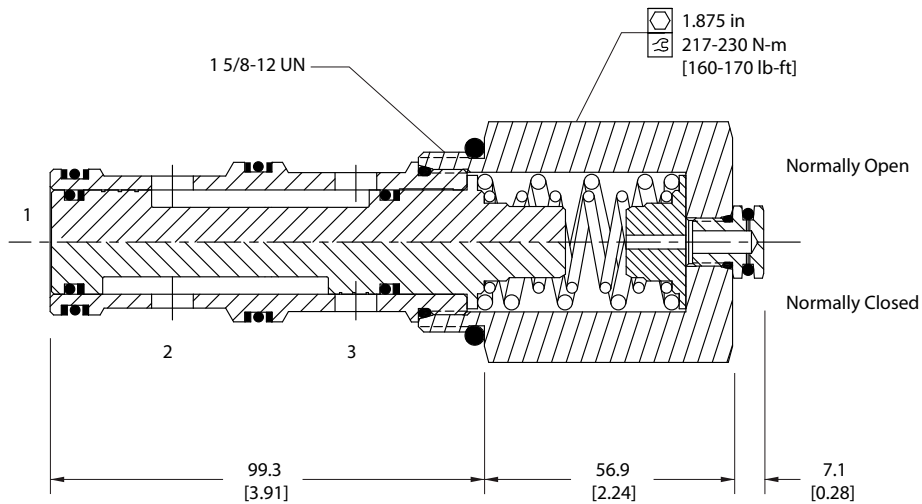
Specifications

Rated pressure	210 bar [3000 psi]
Rated flow at 7 bar [100 psi]	265 l/min [70 US gal/min]
Weight	1.26 kg [2.78 lb]
Cavity	SDC20-3

DIMENSIONS

mm [in]

Cross-sectional view



ORDERING INFORMATION

CP713 - 1 - B - 20S - C - 150 - S1

Seals

B = Buna-N
V = Viton

Seal kit
120200
120201

Housing and ports

0 = No Housing
8B = AL, 1 BSP
10B = AL, 1-1/4 BSP
16S = AL, #16 SAE
20S = AL, #20 SAE
Other housings available

Housing P/N

No Housing
CP20-3-8B
CP20-3-10B
CP20-3-16S
CP20-3-20S

Spool seals

S1 = Seal at top of spool
S2 = Seals at both ends of spool

Shift pressure

Shift pressure (bar)	Shift pressure (psi)
050 = 3.5	[50]
080 = 5.5	[80]
100 = 6.9	[100]
130 = 9.0	[130]
150 = 10.3	[150]

Configuration

O = Normally open
C = Normally closed