



# Directional Control Valves Technical Information

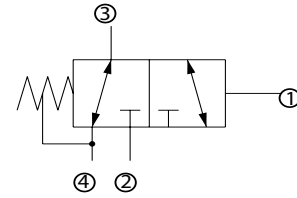
## 2-Position, 3-Way, Hydraulic Vent

### CP720-5

#### OPERATION

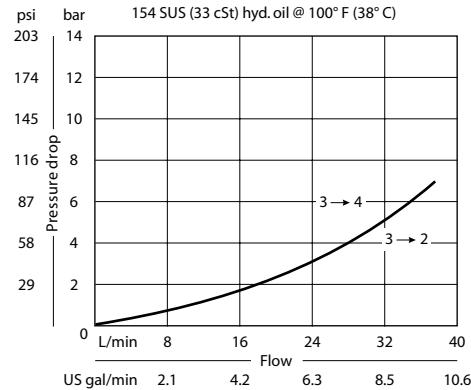
This valve is a 3-way hydraulically piloted spool.

#### Schematic



#### SPECIFICATIONS

#### Theoretical performance



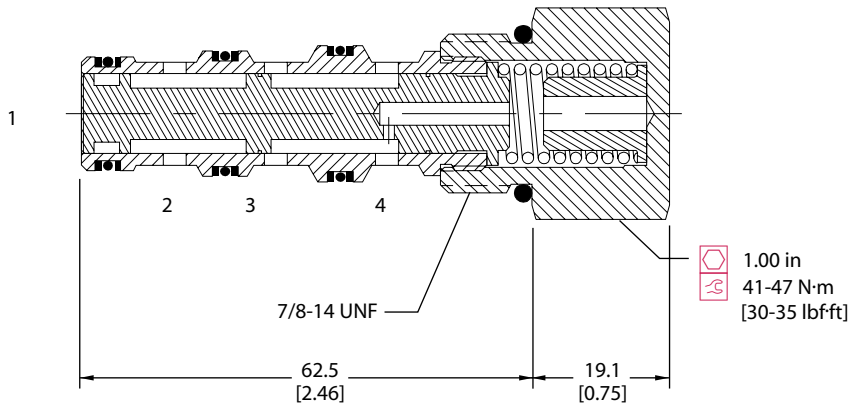
#### Specifications

Rated pressure	210 bar [3000 psi]
Rated flow at 7 bar [100 psi]	40 l/min [11 US gal/min]
Weight	0.15 kg [0.33 lb]
Cavity	<b>SDC10-4</b>

#### DIMENSIONS

mm [in]

#### Cross-sectional view



#### ORDERING INFORMATION

CP720 - 5 - B - 8S - 150 - S3

#### Seals

B = Buna-N  
V = Viton

Seal kit  
120023  
120024

#### Housing and ports

0 = No Housing  
L3B = AL, 3/8 BSP  
L4B = AL, 1/2 BSP  
6S = AL, #6 SAE  
8S = AL, #8 SAE  
Other housings available

#### Housing P/N

No Housing  
SDC10-4-L-3B  
SDC10-4-L-4B  
CP10-4-6S  
CP10-4-8S

#### Spool seals

S3 = No seal  
S4 = Seal at bottom of spool

#### Shift pressure

Shift pressure (bar)	Shift pressure (psi)
050	3.5 [50]
080	5.5 [80]
125	8.6 [125]
150	10.3 [150]

shift pressure assumes no seals