



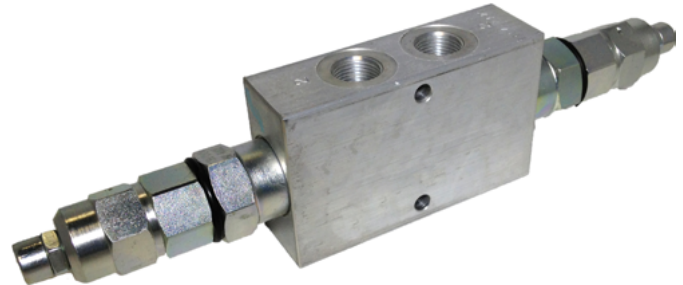
# Counterbalance Valves Technical Information

## Dual Counterbalance - Atmospheric Vent

### VCB06-CN-DL

### OPERATION

The VCB06-CN-DL is a dual counterbalance HIC, 6-size metric, nose to nose design with atmospheric vent. This catalog HIC allows free flow from the V ports to the C ports and blocks flow in the reverse direction until the relief setting is reached, or until adequate pilot pressure has been applied to the opposite V port.



### APPLICATIONS

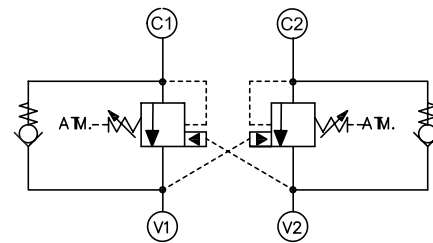
Atmospherically vented HIC's are applied when it is not practical to connect a separate vent line to the tank. Use dual counterbalance HIC's for controlling loads in bidirectional motion such as wheel motor applications or for cylinders going over center.

### SPECIFICATIONS

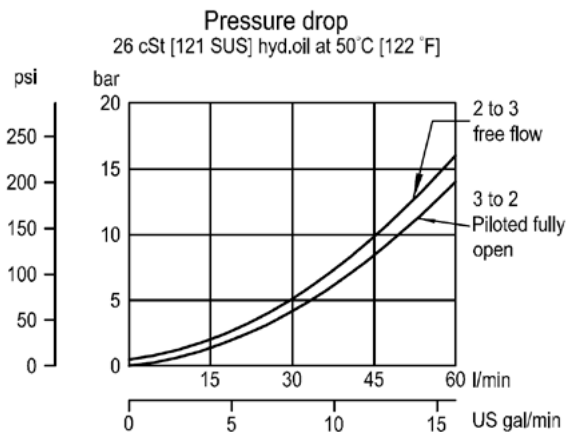
<b>Rated pressure</b>	350 bar [5075 psi]*
<b>Rated flow at 22 bar [319 psi]</b>	60 l/min [16 US gal/min]
<b>Leakage</b>	10 drops/min @ at 70% of crack pressure
<b>Weight</b>	0.96 kg [2.15 lb]
<b>Pilot ratio</b>	4.1:1, 7.1:1
<b>Cavity</b>	CIB

\* 350 bar with steel housing  
210 bar with aluminum housing

### SCHEMATIC



### PERFORMANCE





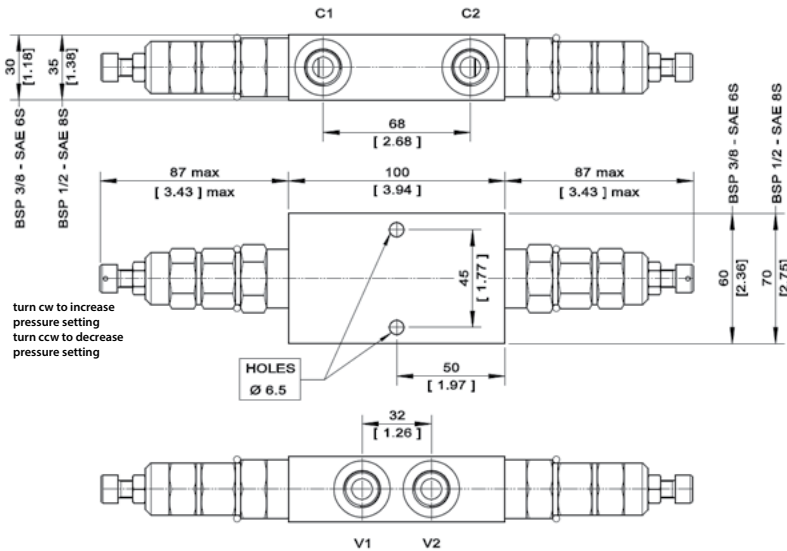
# Counterbalance Valves Technical Information

## Dual Counterbalance - Atmospheric Vent

### VCB06-CN-DL

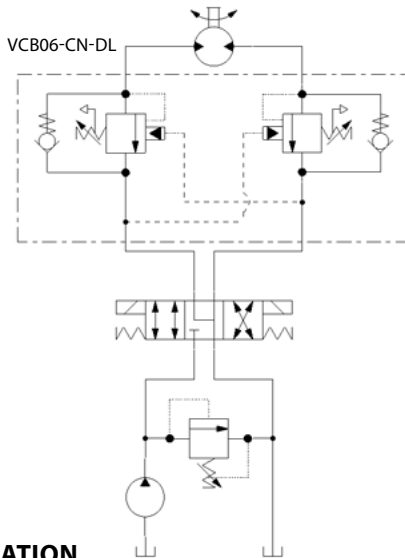
### DIMENSIONS

mm [in]

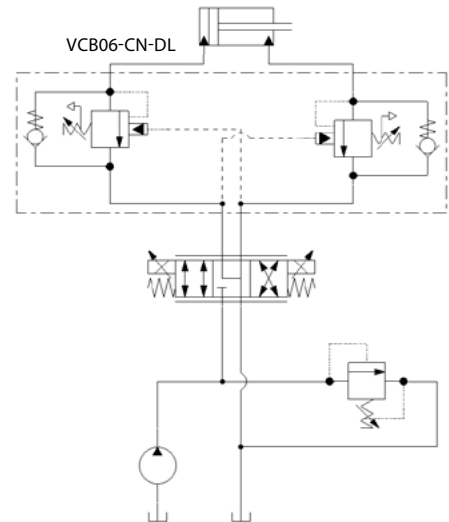


### EXAMPLE CIRCUITS

**Bi-directional Motion Control**



**Counterbalance - Double Actuator**



### ORDERING INFORMATION

**VCB06 - CN - 2 - A - DL4B - B XXX**

**VCB06-CN:**  
Dual Counterbalance Valve,  
Pilot Port 1, 6 size (metric),  
internal adjustment,  
atmospheric vent

Code	Pilot Ratio
A	7.1:1
B	4.1:1

Code	Pressure Range bar [psi]
1	25-140 (363-2030)
2	70 - 210 (1015-3045)
3	105 - 350 (1523-5075)

Code	Seal Material
B	Buna-N
V	Viton

Housing & Ports	Housing P/N
DL3B: AL, 3/8 BSP	NCS06-3-DL3B
DL4B: AL, 1/2 BSP	NCS06-3-DL4B
DL6S: AL, #6 SAE	NCS06-3-DL6S
DL8S: AL, #8 SAE	NCS06-3-DL8S

**Crack Pressure Setting [in bar]**

**XXX:** No factory setting / no stamping

For customer specified settings,  
enter value in bar (Example 70 bar = 70;  
125 bar = 125 etc.)