



# Flow Control Valves Technical Information

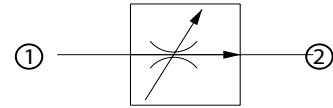
## Adjustable, Restrictive Type

### CP300-2

#### OPERATION

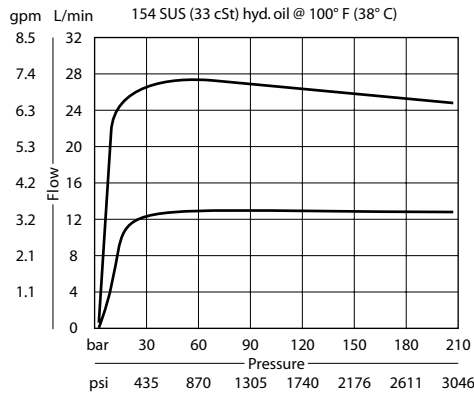
This valve is a limited adjustment pressure compensated flow control valve. To increase the flow, turn the adjustment screw clockwise. To decrease the flow, turn the adjustment screw counter-clockwise.

#### Schematic



#### SPECIFICATIONS

#### Theoretical performance



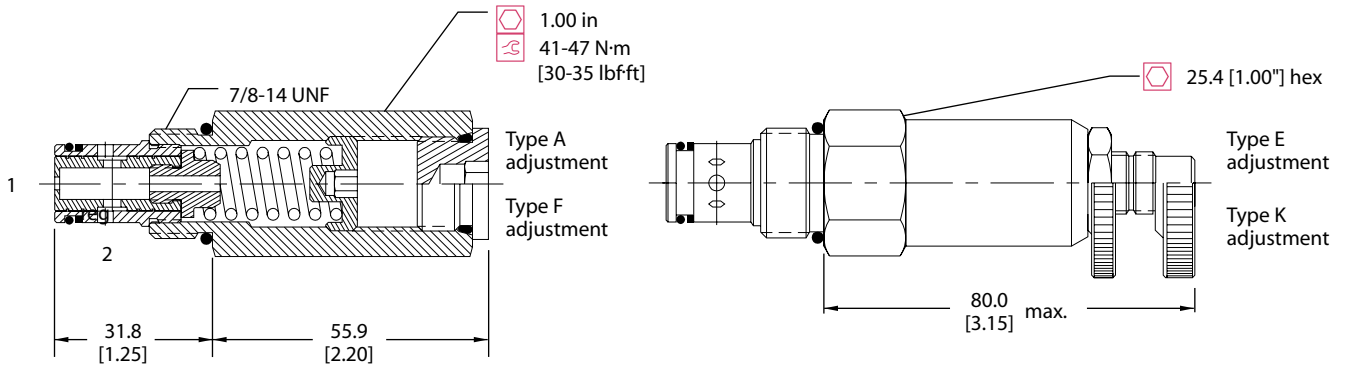
#### Specifications

<b>Rated pressure</b>	210 bar [3000 psi]
<b>Max regulated flow</b>	22.7 l/min [6 US gal/min]
<b>Weight</b>	0.24 kg [0.52 lb]
<b>Accuracy ± 20%</b>	0.4-1.88 l/min [0.1-0.49 US gal/min]
<b>± 15%</b>	1.89-5.67 l/min [0.5-1.49 US gal/min]
<b>± 10%</b>	5.68-22.7 l/min [1.5-6.0 US gal/min]
<b>Flow Adjustment Range</b>	± 25% of normal setting
<b>Cavity</b>	<b>SDC10-2</b>

#### DIMENSIONS

mm in

#### Cross-sectional view



#### ORDERING INFORMATION

#### Seals

B = Buna-N  
V = Viton

#### Housing and ports

0 = No Housing  
DG3B = Al, 3/8 BSP  
DG4B = Al, 1/2 BSP  
6S = Al, #6 SAE  
8S = Al, #8 SAE  
Other housings available

**Seal kit**  
120015  
120016

**Housing P/N**  
No Housing  
SDC10-2-DG-3B  
SDC10-2-DG-4B  
CP10-2-6S  
CP10-2-8S

**CP300 - 2 - B - 8S - A - 2.5**

#### Regulated Flow

L/min [US gal/min]  
0.5 = 2.4 [0.5]  
To  
6.0 = 22.7 [6.0]

#### Adjustment option

A = Internal  
E = External  
F = Tamper resistant  
K = Knob