



Flow Control Valves Technical Information

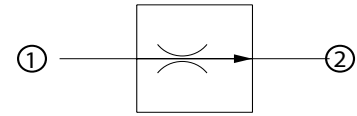
Fixed Setting, Restrictive Type

CP301-1

OPERATION

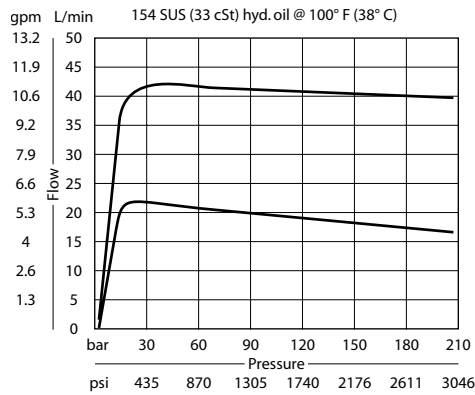
This valve is a fixed pressure compensated flow control valve.

Schematic



SPECIFICATIONS

Theoretical performance



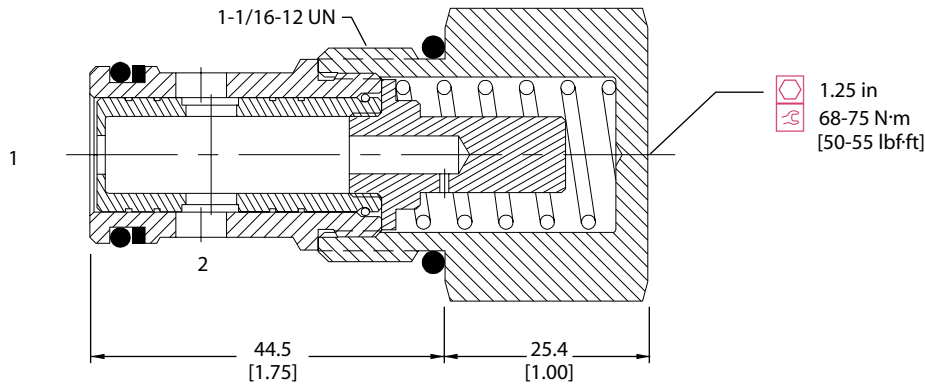
Specifications

Rated pressure	210 bar [3000 psi]
Max regulated flow	56.8 l/min [15 US gal/min]
Weight	0.24 kg [0.52 lb]
Accuracy ± 20%	1.9-7.5 l/min [0.5-1.99 US gal/min]
± 15%	7.6-56.8 l/min [2-15 US gal/min]
Cavity	CP12-2

DIMENSIONS

mm in

Cross-sectional view



ORDERING INFORMATION

CP301 - 1 - B - 12S - 10.0

Seals	Seal kit	Regulated Flow
B = Buna-N V = Viton	120017 120018	
Housing and ports	Housing P/N	L/min [US gal/min]
0 = No Housing	No Housing	0.5 = 1.9 [0.5]
4B = Al, 1/2 BSP	CP12-2-4B	to
6B = Al, 3/4 BSP	CP12-2-6B	15.0 = 56.8 [15.0]
10S = Al, #10 SAE	CP12-2-10S	
12S = Al, #12 SAE	CP12-2-12S	
Other housings available		