



Flow Control Valves Technical Information

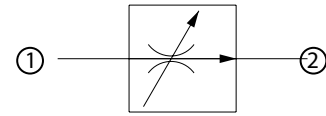
Adjustable, Restrictive Type

CP308-2

OPERATION

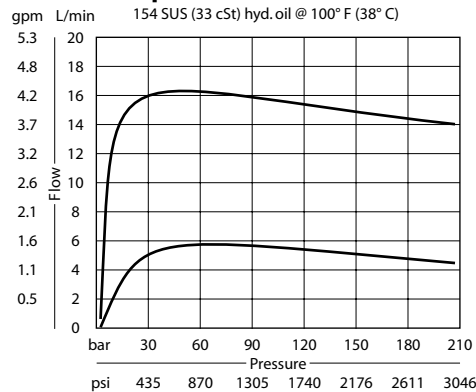
This valve is a limited adjustment pressure compensated flow control valve. To increase the flow, turn the adjustment screw clockwise. To decrease the flow, turn the adjustment screw counter-clockwise.

Schematic



SPECIFICATIONS

Theoretical performance



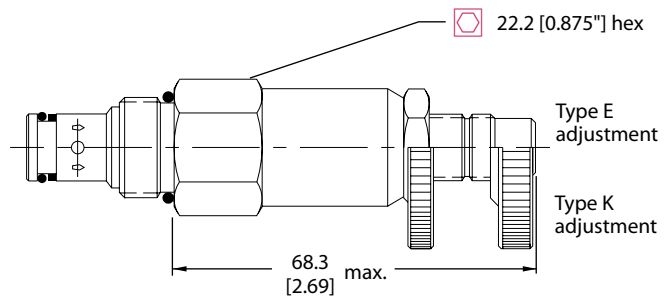
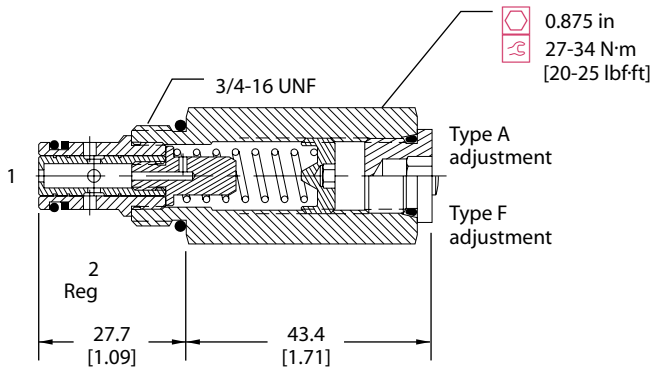
Specifications

Rated pressure	210 bar [3000 psi]
Max regulated flow	15 l/min [4 US gal/min]
Weight	0.15 kg [0.32 lb]
Accuracy ± 20%	0.4-1.88 l/min [0.1-0.49 US gal/min]
± 15%	1.89-5.67 l/min [0.5-1.49 US gal/min]
± 10%	5.68-15.1 l/min [1.5-4.0 US gal/min]
Flow Adjustment Range	± 25% of normal setting
Cavity	SDC08-2

DIMENSIONS

mm in

Cross-sectional view



ORDERING INFORMATION

CP308 - 2 - B - 6S - A - 1.0

Seals	Seal kit	Regulated Flow
B = Buna-N	120221	L/min [US gal/min]
V = Viton	120222	0.1 = .4 [0.1]
		To
		4.0 = 15.1 [4.0]
Housing and ports	Housing P/N	Adjustment option
0 = No Housing	No Housing	A = Internal
DG2B = Al, 1/4 BSP	SDC08-2-DG-2B	E = External
DG3B = Al, 3/8 BSP	SDC08-2-DG-3B	F = Tamper resistant
4S = Al, #4 SAE	CP08-2-4S	K = Knob
6S = Al, #6 SAE	CP08-2-6S	
Other housings available		