



Flow Control Valves Technical Information

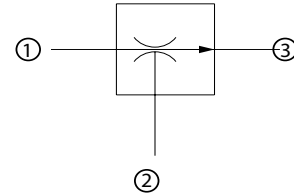
Fixed Setting, Priority Type

CP310-1

OPERATION

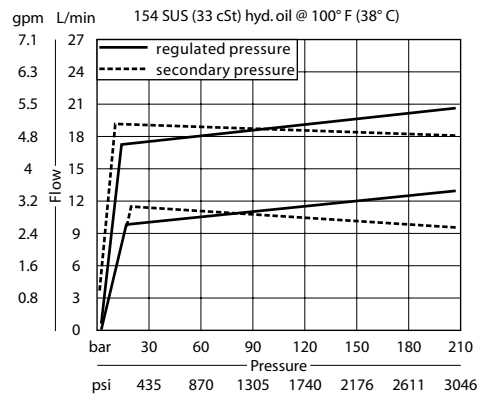
This valve is a fixed, pressure compensated priority-type flow control valve.

Schematic



SPECIFICATIONS

Theoretical performance



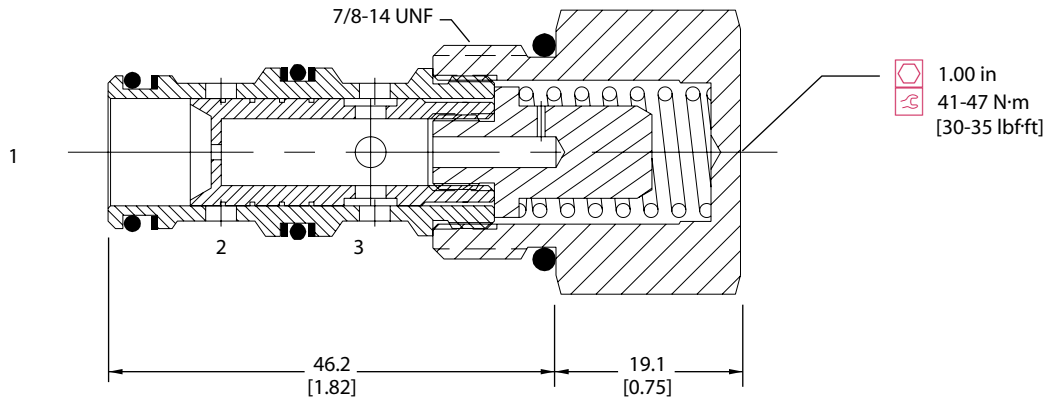
Specifications

Rated pressure	210 bar [3000 psi]
Max regulated flow	23 l/min [6 US gal/min]
Max inlet flow	38 l/min [10 US gal/min]
Weight	0.13 kg [0.29 lb]
Accuracy ± 20%	0.4- 1.88 l/min [0.1-0.49 US gal/min]
± 15%	1.89-5.67 l/min [0.5-1.49 US gal/min]
± 10%	5.68-22.7 l/min [1.5-6 US gal/min]
Cavity	SDC10-3

DIMENSIONS

mm in

Cross-sectional view



ORDERING INFORMATION

Seals

B = Buna-N
V = Viton

Housing and ports

00 = No Housing
SE3B = Al, 3/8 BSP
SE4B = Al, 1/2 BSP
6S = Al, #6 SAE
8S = Al, #8 SAE
Other housings available

Seal kit

120240
11043064

Housing P/N

No Housing
SDC10-3-SE-3B
SDC10-3-SE-4B
CP10-3-6S
CP10-3-8S

CP310-1-B-8S-2.5

Regulated Flow

Flow (L/min)	Flow (US gal/m)
0.1	0.4 [0.1]
6.0	22.7 [6.0]