



Flow Control Valves Technical Information

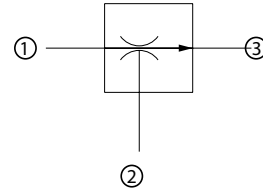
Fixed Setting, Priority Type

CP311-1

OPERATION

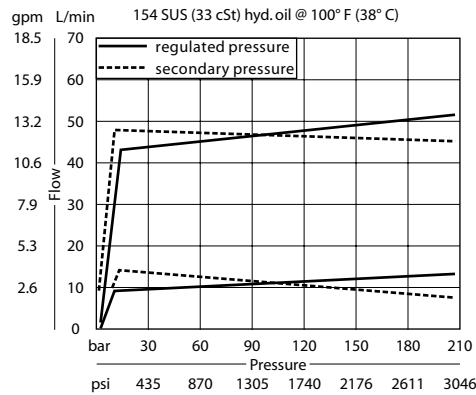
This valve is a fixed, pressure compensated priority-type flow control valve.

Schematic



SPECIFICATIONS

Theoretical performance



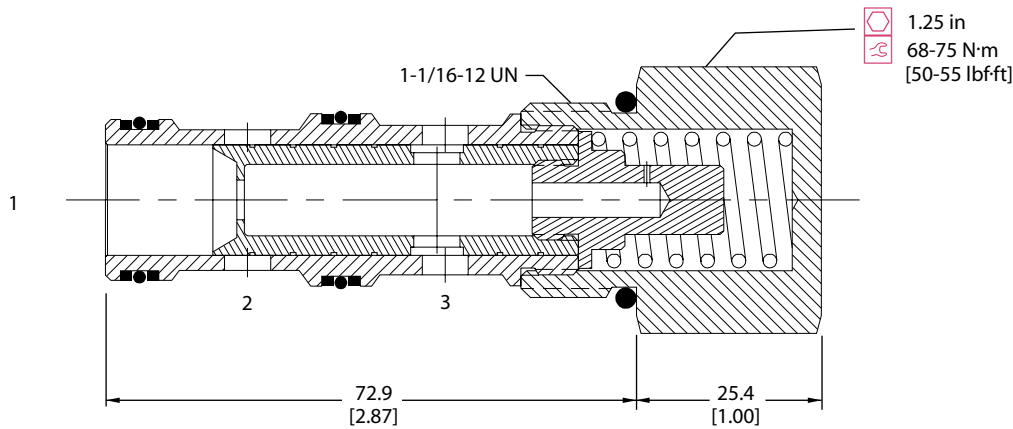
Specifications

Rated pressure	210 bar [3000 psi]
Max regulated flow	45 l/min [12 US gal/min]
Max inlet flow	95 l/min [25 US gal/min]
Weight	0.28 kg [0.61 lb]
Accuracy ± 15%	1.9-7.5 l/min [0.5-1.99 US gal/min]
± 10%	7.6-45.4 l/min [2-12 US gal/min]
Cavity	CP12-3

DIMENSIONS

mm in

Cross-sectional view



ORDERING INFORMATION

CP311 - 1 - B - 12S - 10.0

Seals	Seal kit		
B = Buna-N	120053		
V = Viton	120052		
Housing and ports	Housing P/N	Regulated Flow	
0 = No Housing	No Housing	L/min	[US gal/min]
4B = Al, 1/2 BSP	CP12-3-4B	0.5 = 1.9	[0.5]
6B = Al, 3/4 BSP	CP12-3-6B	12.0 = 45.4	[12.0]
10S = Al, #10 SAE	CP12-3-10S		
12S = Al, #12 SAE	CP12-3-12S		
Other housings available			