



Flow Control Valves Technical Information

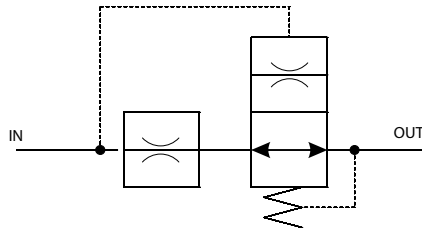
Velocity Fuse CP330-3

OPERATION

This is an in-line flow limiter that closes and then provides non-compensated restricted flow when the specified flow setting is exceeded. The valve provides free reverse flow when operated in the opposite direction.

SPECIFICATIONS

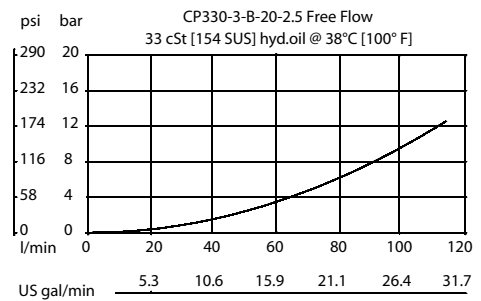
Schematic



Specifications

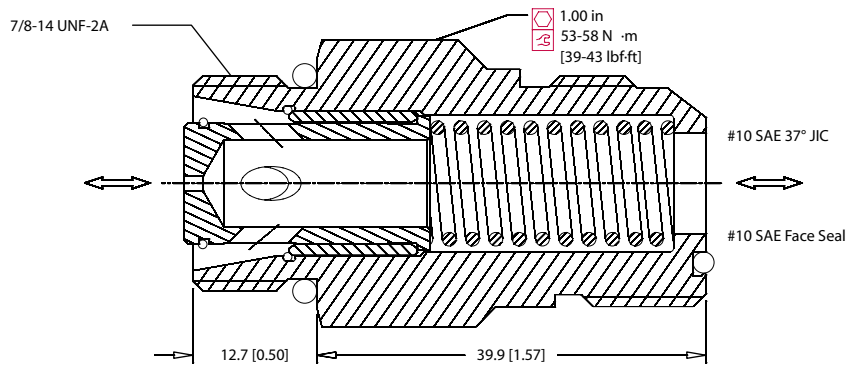
Pressure rating	207 bar [3000 psi]
Max Trip Flow	110 l/min [29 US gal/min]
Bypass Flow	9.5 lpm [2.5 gal/min]
Weight	0.12 kg [0.26 lbs]
Cavity	#10 SAE Port

Theoretical performance



DIMENSIONS

mm in



ORDERING INFORMATION

CP330-3-B-FS10-17-2.5

Seals B = BUNA-N V = VITON		Bypass Flow @ 48 bar [700 psi]	
		l/min	USgal/min
		2.5 = 9.5	2.5
Fitting Type Omit = #10SAE37° JIC FS10 = #10SAE face seal		Flow Setting	
		l/min	USgal/min
		17 = 64.4	17
		20 = 75.7	20
		23 = 87.1	23
		26 = 98.4	26
		29 = 109.8	29