



Flow Control Valves Technical Information

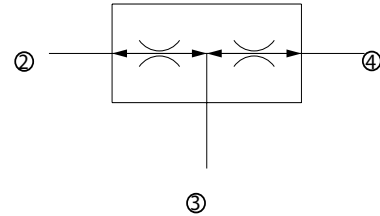
Flow Divider/Combiner

CP341-1

OPERATION

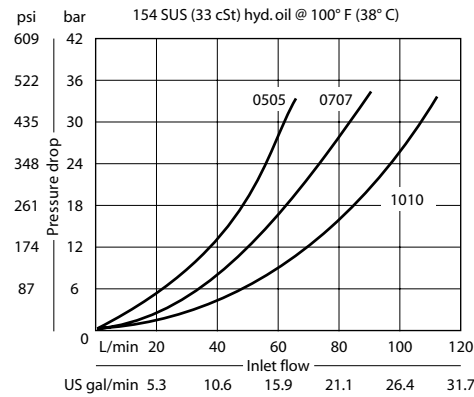
This valve is a fixed ratio, pressure compensated flow divider/combiner.

Schematic



SPECIFICATIONS

Theoretical performance

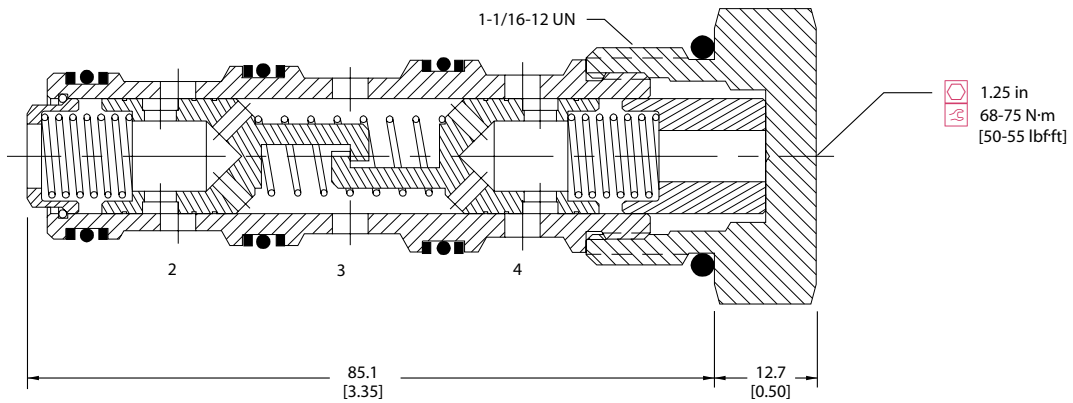


Specifications

Rated pressure	210 bar [3000 psi]
Rated flow	75 l/min
[See Performance Chart]	[20 US gal/min]
Weight	0.23 kg [0.50 lb]
Cavity	CP12-4

DIMENSIONS

Cross-sectional view



ORDERING INFORMATION

CP341 - 1 - B - 10S - 0707

Seals	Seal kit	Flow settings	
B = Buna-N	120262	Code	Flow ratio
V = Viton	120263		Port 2:Port 4
Housing and ports	Housing P/N	0505	1:1
0 = No Housing	No Housing	0507	5:7
4B = Al, 1/2 BSP	CP12-4-4B-X1	0510	1:2
6B = Al, 3/4 BSP	CP12-4-6B-X1	0707	1:1
10S = Al, #10 SAE	CP12-4-10S-X1	0710	7:10
12S = Al, #12 SAE	CP12-4-12S-X1	1010	1:1
Other housings available			Total flow