



Flow Control Valves Technical Information

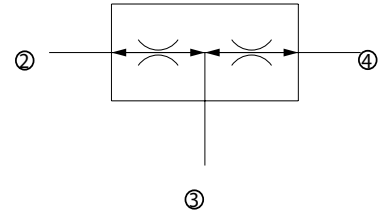
Flow Divider/Combiner

CP342-1

OPERATION

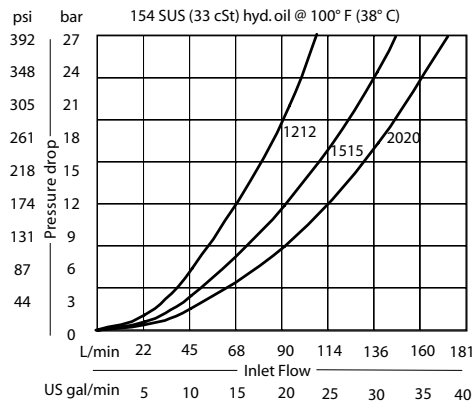
This valve is a fixed ratio, pressure compensated flow divider/combiner.

Schematic



SPECIFICATIONS

Theoretical performance

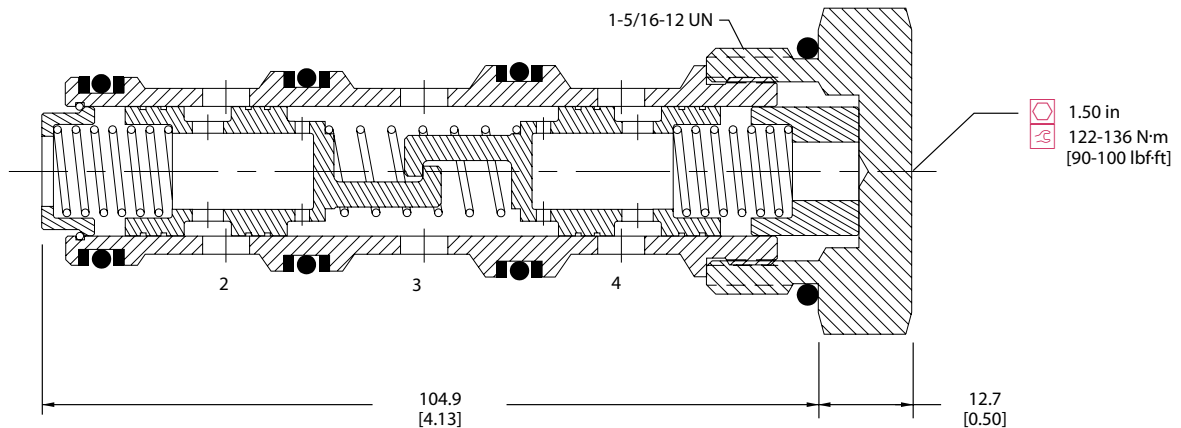


Specifications

Rated pressure	210 bar [3000 psi]
Rated flow	150 l/min
[See Performance Chart]	[40 US gal/min]
Weight	0.37 kg [0.81 lb]
Cavity	CP16-4

DIMENSIONS

Cross-sectional view



ORDERING INFORMATION

CP342 - 1 - B - 16S - 1515		Flow settings		
Seals	Seal kit	Code	Flow ratio	Total flow
B = Buna-N	120025	1020	1:2	30 gpm [114 L/min]
V = Viton	120026	1212	1:1	24 gpm [91 L/min]
		1215	4:5	27 gpm [102 L/min]
		1220	3:5	32 gpm [121 L/min]
		1512	5:4	27 gpm [102 L/min]
		1515	1:1	30 gpm [114 L/min]
		1520	3:4	35 gpm [132 L/min]
		2012	5:3	32 gpm [121 L/min]
		2015	4:3	35 gpm [132 L/min]
		2020	1:1	40 gpm [151 L/min]

Housing and ports	Housing P/N
0 = No Housing	No Housing
6B = Al, 3/4 BSP	CP16-4-6B-X1
8B = Al, 1 BSP	CP16-4-8B-X1
12S = Al, #12 SAE	CP16-4-12S-X1
16S = Al, #16 SAE	CP16-4-16S-X1
Other housings available	