



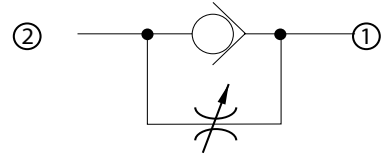
# Flow Control Valves Technical Information

## Needle Valve, Bi-Directional, Fine Metering, Reverse Free Flow CP610-7

### OPERATION

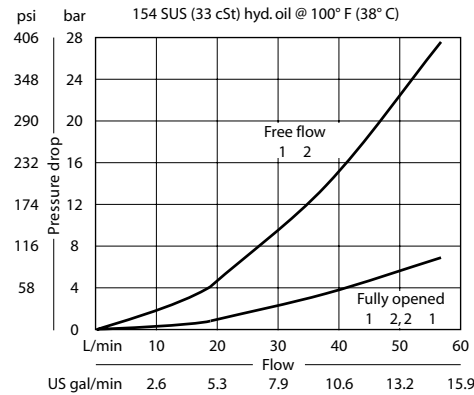
This valve is an adjustable orifice with free reverse flow.

### Schematic



### SPECIFICATIONS

#### Theoretical performance



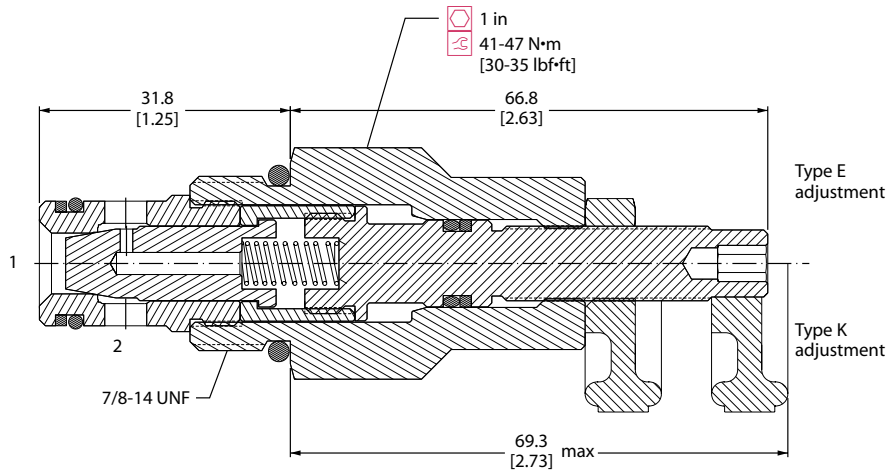
### Specifications

<b>Rated pressure</b>	350 bar [5075 psi]
<b>Rated flow at 7 bar [100 psi]</b>	55 l/min [15 US gal/min]
<b>Leakage</b>	30 drops/min @ Rated pressure
<b>Weight</b>	0.18 kg [0.40 lb]
<b>Cavity</b>	<b>SDC10-2</b>

### DIMENSIONS

mm in

#### Cross-sectional view



### ORDERING INFORMATION

CP610 - 7 - B - 8S - K

#### Seals

B = Buna-N  
V = Viton

Seal kit  
120015  
120016

#### Housing and ports

0 = No Housing  
DG3B = AL, 3/8 BSP  
DG4B = AL, 1/2 BSP  
6S = AL, #6 SAE  
8S = AL, #8 SAE  
Other housings available

#### Housing P/N

No Housing  
SDC10-2-DG-3B  
SDC10-2-DG-4B  
CP10-2-6S  
CP10-2-8S

#### Adjustment option

E = External  
K = Knob