



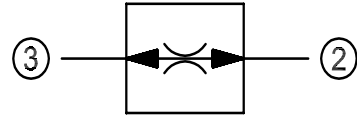
# Flow Control Valves Technical Information

## Fixed Setting, Bi-Directional FCH10-BD

### OPERATION

This valve is a fixed setting, pressure compensated, bi-directional flow control valve. NOTE: Port 1 must be blocked for proper operation.

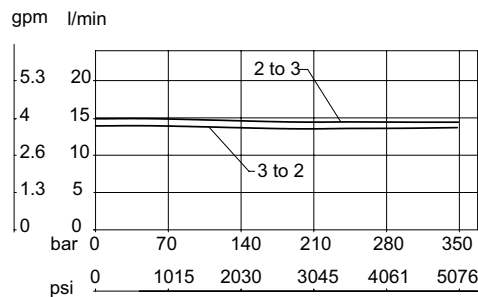
### Schematic



### SPECIFICATIONS

#### Theoretical performance

Performance  
33 cSt [154 SUS] hyd.oil @ 38°C [100° F]



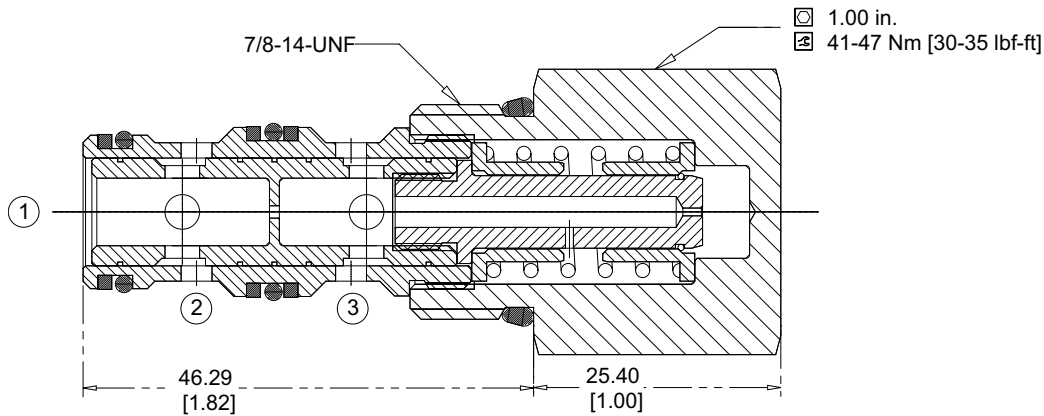
#### Specifications

<b>Rated pressure</b>	350 bar [5075 psi]
<b>Max regulated flow</b>	23 l/min [6 US gal/min]
<b>Weight</b>	0.14 kg [0.34 lb]
<b>Accuracy ± 20%</b>	0.4-1.88 l/min [0.1-0.49 US gal/min]
<b>± 15%</b>	1.89-22.7 l/min [0.49-6.0 US gal/min]
<b>Cavity</b>	<b>SDC10-3</b>

### DIMENSIONS

mm in

#### Cross-sectional view



### ORDERING INFORMATION

## FCH10-BD-3.8-U-00

Regulated Flow  
0.4 = 0.4 lpm [0.1 gpm]  
to  
22.7 = 22.7 lpm [6.0 gpm]

Housing and ports  
00 = No Housing  
DG-3B = Al, 3/8 BSP  
DG-4B = Al, 1/2 BSP  
6S = Al, #6 SAE  
8S = Al, #8 SAE

Housing Part #  
No Housing  
SDC10-3-DG-3B  
SDC10-3-DG-4B  
CP10-3-6S  
CP10-3-8S

Seals  
U = Urethane

Seal Kit  
120726