



Flow Control Valves Technical Information

High Pressure Flow Control - Pressure Compensated HFCV10-RT

OPERATION

The HFCV10-RT is a high pressure, fully adjustable, pressure compensated, restrictive-type flow control. This valve maintains a constant flow rate out of port 2 regardless of pressure variations at port 2 or port 1. An integral check valve allows unrestricted flow from port 2 to port 1.

The valve can be adjusted from closed to fully open (5 turns) with counter-clockwise rotation of the adjustment screw. Regulated flow ranges are available pre-set from the factory in 1 LPM increments between 1-11 LPM (0.26-2.9 US gal/min) and also at flows of 0.38 LPM (0.1 US gal/min) and 11.4 LPM (3.0 US gal/min).



APPLICATIONS

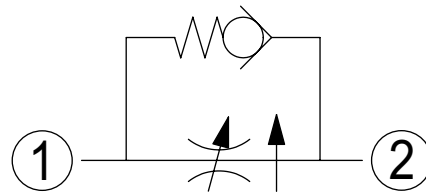
The HFCV10-RT features fine adjustability and can be used for meter-in, meter-out applications to control actuator speeds.

SPECIFICATIONS

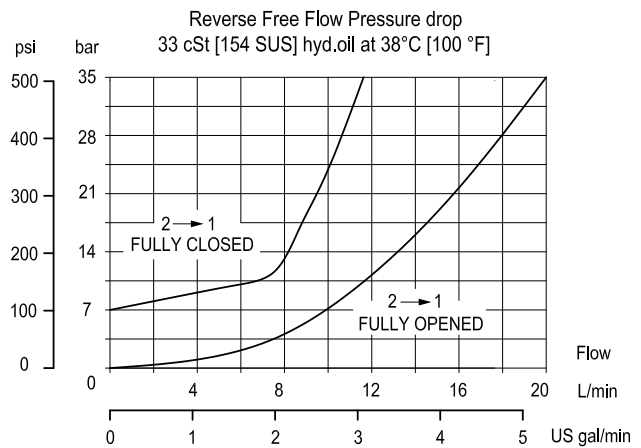
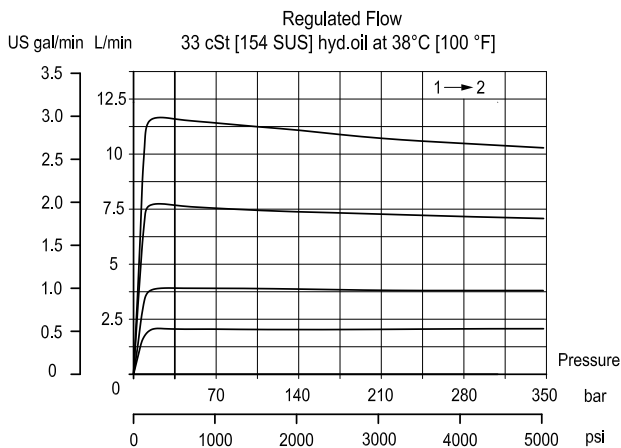
Rated Pressure*	350 bar [5075 psi]
Min Regulated Flow	0.38 lpm (0.1 US gal/min)
Max Regulated Flow	11.4 lpm (3.0 US gal/min)
Accuracy	+/- 12%
Leakage	40 ml/min @ rated pressure
Weight	0.17 kg 0.37 lbs
Cavity	SDC10-2

* Rated Pressure based on NFPA fatigue test standards (at 1 Million Cycles).

SCHEMATIC



PERFORMANCE CURVES



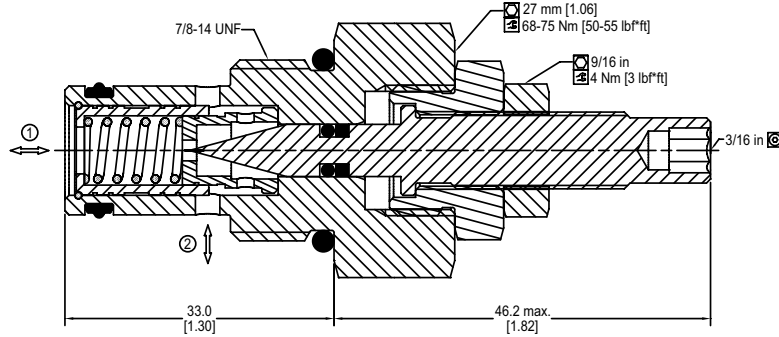


Flow Control Valves Technical Information

High Pressure Flow Control - Pressure Compensated HFCV10-RT

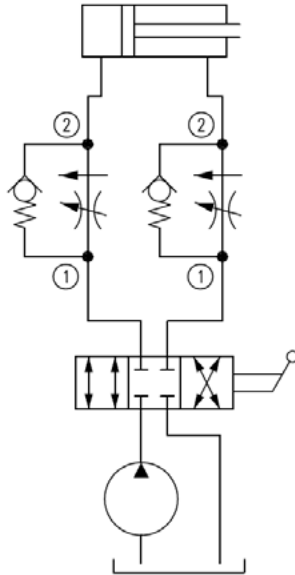
DIMENSIONS

mm in

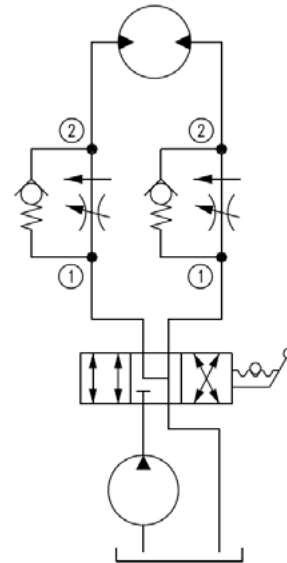


EXAMPLE CIRCUITS

Compensated
Flow Control,
Meter-In Cylinder



Compensated
Flow Control,
Meter-In Motor



ORDERING INFORMATION

High Pressure Flow Control,
Pressure Compensated, Variable Orifice,
10 Size, Restrictive Type

Seal Option

Code	Seal Material	Seal kit
P	Polyurethane Single Seal	11132135
V	Viton	354000819

Adjustment Type

Code	Adjustment Type
E	External
K	Hand Knob

HFCV10 - RT - P - E - 1.0 - 00

Regulated Flow

L/min [US gal/min]

0.38 [0.1]

1.0-11.0 [0.26-2.9]*

11.4 [3.0]

*Factory settings in 1 LPM increments

Housings & Ports	Housing P/N
00 = Cartridge Only	No Body
DG3B = 3/8 BSP, AL	SDC10-2-DG3B
DG4B = 1/2 BSP, AL	SDC10-2-DG4B
S4B = 1/2 BSP, DUCTILE	CP10-2-S4B
6S = #6 SAE, AL	CP10-2-6S
8S = #8 SAE, AL	CP10-2-8S
S8S = #8 SAE, DUCTILE	CP10-2-S8S