



Flow Control Valves Technical Information

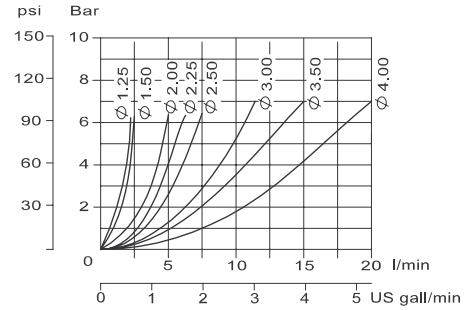
In-line SC 10

OPERATION

This is an in-line restrictive type flow control valve.

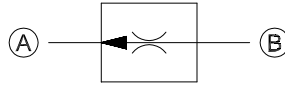
Theoretical performance

Pressure drop from A \Rightarrow B according to orifice diameter
26 cSt [121 SUS] hyd.oil at 50°C [122 °F]



SPECIFICATIONS

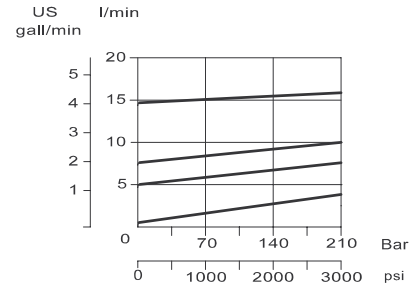
Schematic



Specifications

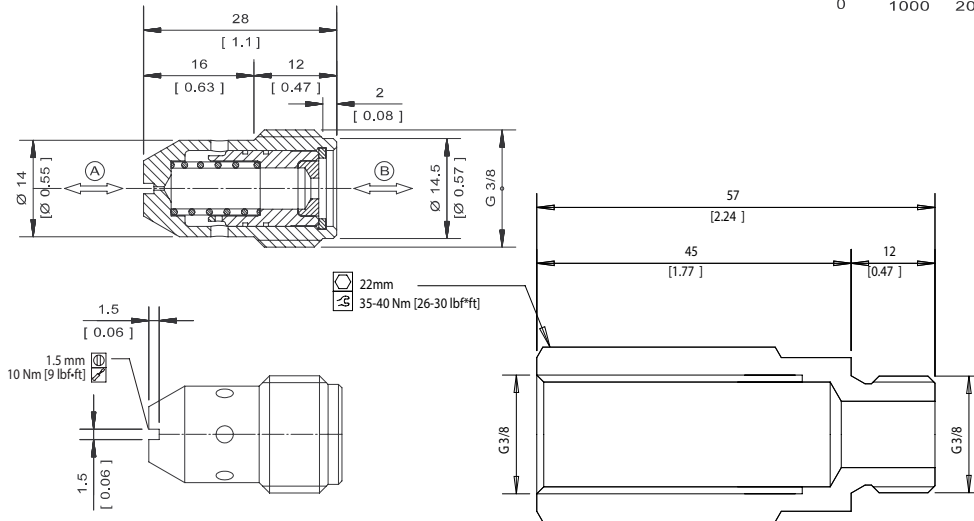
Pressure rating	210 bar [3000 psi]
Max regulated flow	16 l/min [4.2 US gal/min]
Cavity	Consult factory

Variation in controlled flow from B \Rightarrow A according to pressure
26 cSt [121 SUS] hyd.oil at 50°C [122 °F]



DIMENSIONS

mm in



ORDERING INFORMATION

SC10 - 1.25 - G - 00

Orifice diameter mm	Flow at 100 bar [1450 psi] l/min [US gal/min]	00 = Cartridge only L = 3/8 BSP
1.25	= 2.0[0.53]	
1.50	= 3.0[0.79]	
2.00	= 4.0[1.06]	
2.25	= 5.0[1.32]	
2.50	= 6.0[1.59]	
3.00	= 9.0[2.38]	
3.50	= 11.0[2.91]	
4.00	= 16.0[4.23]	