



# Flow Control Valves Technical Information

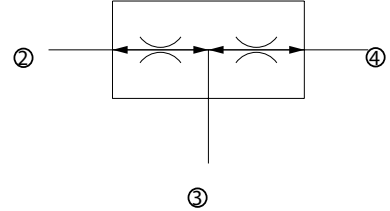
## Flow Divider/Combiner

### VDF 06

#### OPERATION

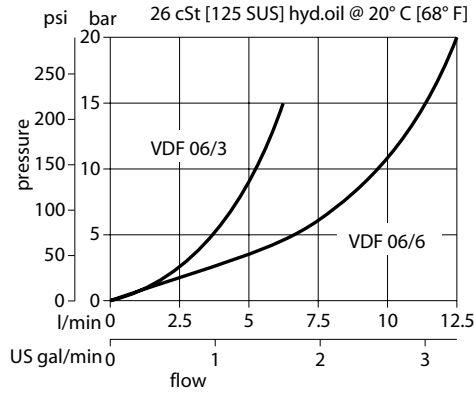
This valve is a fixed ratio, pressure compensated flow divider/combiner.

#### Schematic



#### SPECIFICATIONS

#### Theoretical performance



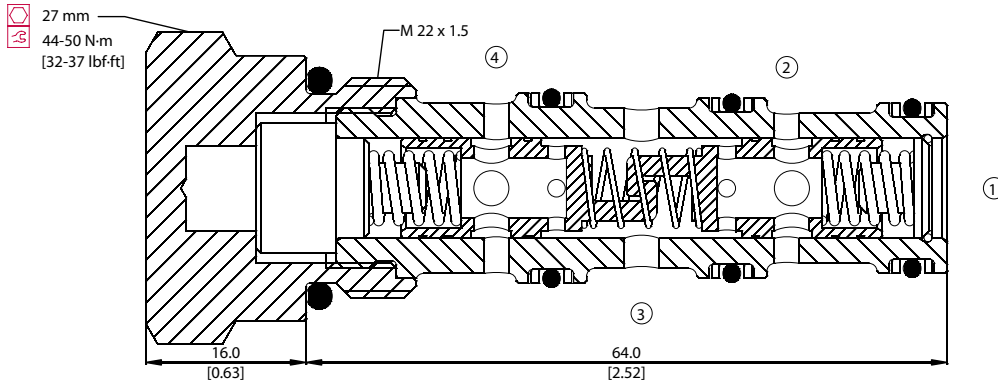
#### Specifications

Rated pressure	210 bar [3000 psi]
Rated flow	45 l/min
[See Performance Chart]	[12 US gal/min]
Weight	0.15 kg [0.33 lb]
Cavity	NCS06/4

#### DIMENSIONS

mm in

#### Cross-sectional view



#### ORDERING INFORMATION

VDF 06 - 10 - 00 - V

**Flow rate**  
l/min [US gal/min]  
3 = Min 3 [0.8] Max 6.5 [1.7]  
6 = Min 6 [1.6] Max 12.5 [3.3]  
10 = Min 10 [2.6] Max 25 [6.6]  
25 = Min 22 [5.8] Max 45 [11.9]

**Seals**  
V = Viton  
Omit = Buna-N

**Seal kit**  
230000350  
230000610

**Housing and ports**  
00 = No Housing  
L3/8 = AL, 3/8 BSP  
L3/4 = AL, 3/4 BSP  
L6S = AL, #6 SAE  
L8S = AL, #8 SAE  
Other housings available

**Housing P/N**  
No Housing  
NCS06/4-L-3/8  
NCS06/4-L-3/4  
NCS06/4-L-6S  
NCS06/4-L-8S