



Flow Control Valves Technical Information

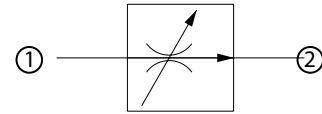
Adjustable, Restrictive Type

VR 06

OPERATION

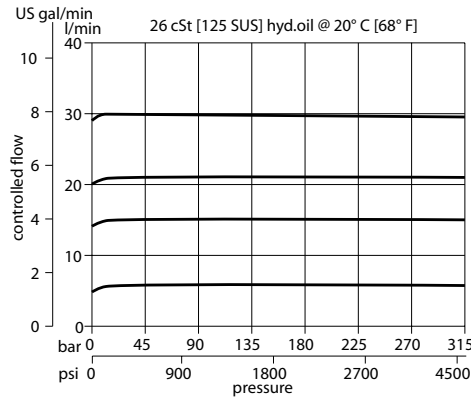
This valve is a limited adjustment, pressure compensated, restrictive-type flow control valve. To increase the flow, turn the adjustment screw clockwise. To decrease the flow, turn the adjustment screw counter-clockwise.

Schematic



SPECIFICATIONS

Theoretical performance



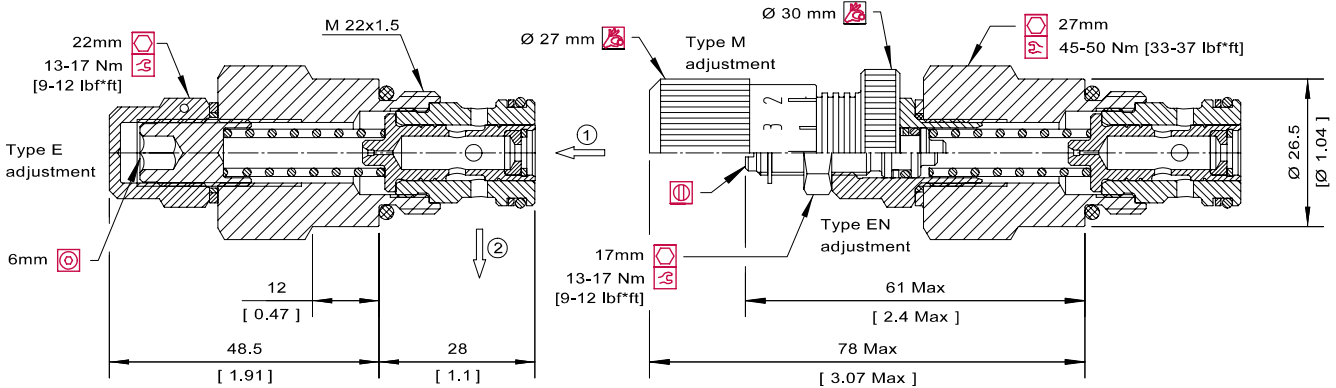
Specifications

Rated pressure	315 bar [4500 psi]
Max regulated flow	30 l/min [8 US gal/min]
Weight	0.19 kg [0.42 lb]
Cavity	NCS06/2

DIMENSIONS

mm in

Cross-sectional view



ORDERING INFORMATION

VR 06 - EN-1.25 - 00 - V

Adjustment	Seals	Seal kit
E = Internal screw	V = Viton	230000380
EN = External screw	Omit = Buna-N	230000060
M = Handwheel		
Orifice size	Housing and ports	Housing P/N
mm = L/min [US gal/m]	00 = No Housing	No Housing
1.25 = 1-3 [0.3-0.8]	DG3/8 = AL, 3/8 BSP	NCS06/2-DG-3/8
2.00 = 3-7 [0.8-1.8]	DG1/2 = AL, 1/2 BSP	NCS06/2-DG-1/2
3.00 = 6-18 [1.6-4.8]	DG6S = AL, #6 SAE	NCS06/2-DG-6S
3.50 = 10-30 [2.6-7.9]	DG8S = AL, #8 SAE	NCS06/2-DG-8S
Other orifices available consult factory	Other housings available	