



Flow Control Valves Technical Information

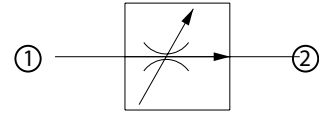
Adjustable, Restrictive Type

VR 12

OPERATION

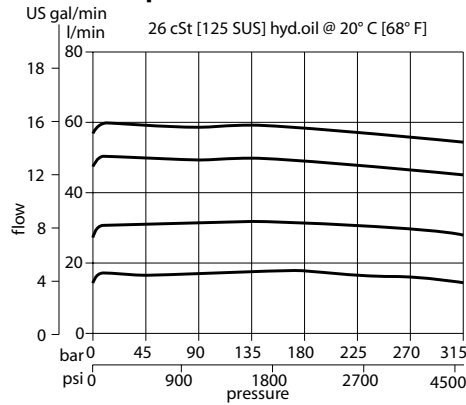
This valve is a limited adjustment, pressure compensated, restrictive-type flow control valve. To increase the flow, turn the adjustment screw clockwise. To decrease the flow, turn the adjustment screw counter-clockwise.

Schematic



SPECIFICATIONS

Theoretical performance



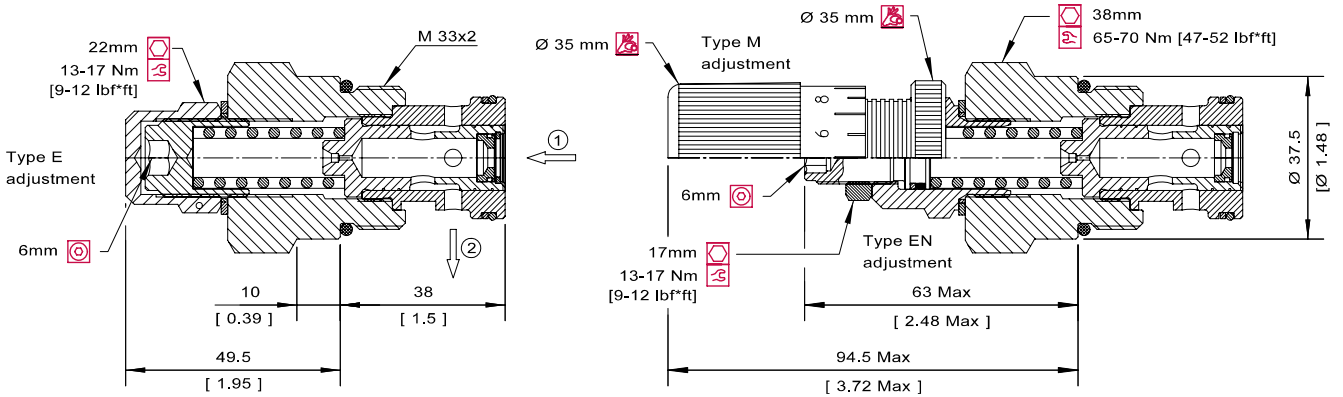
Specifications

Rated pressure	315 bar [4500 psi]
Max regulated flow	60 l/min [16 US gal/min]
Weight	0.44 kg [0.97 lb]
Cavity	NCS12/2

DIMENSIONS

mm in

Cross-sectional view



ORDERING INFORMATION

VR 12 - EN-1.25 - 00 - V

Adjustment
E = Internal screw
EN = External screw
M = Handwheel

Orifice size

mm	L/min	[US gal/m]
1.50	2.5-6.5	[0.7-1.7]
2.50	6-16	[1.6-4.2]
4.00	16-40	[4.2-10.6]
5.00	25-60	[6.6-15.8]

Seals
V = Viton
Omit = Buna-N

Seal kit
230000470
230000120

Housing and ports
00 = No Housing
DG1/2 = AL, 1/2 BSP
DG3/4 = AL, 3/4 BSP
DG8S = AL, #8 SAE
DG12S = AL, #12 SAE
Other housings available

Housing P/N
No Housing
NCS12/2-DG-1/2
NCS12/2-DG-3/4
NCS12/2-DG-8S
NCS12/2-DG-12S