



Flow Control Valves Technical Information

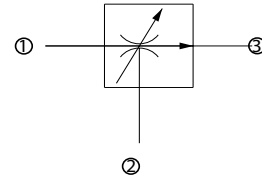
Adjustable, Priority Type

VRC 06

OPERATION

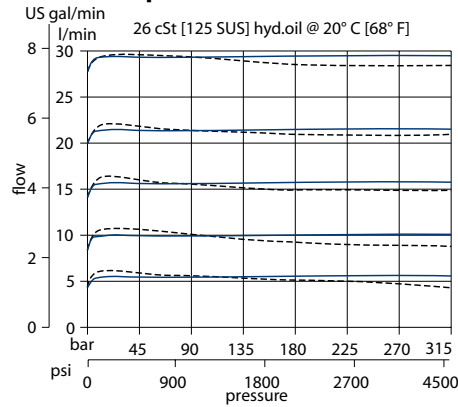
This valve is a limited adjustment, pressure compensated, priority-type flow control valve.

Schematic



SPECIFICATIONS

Theoretical performance



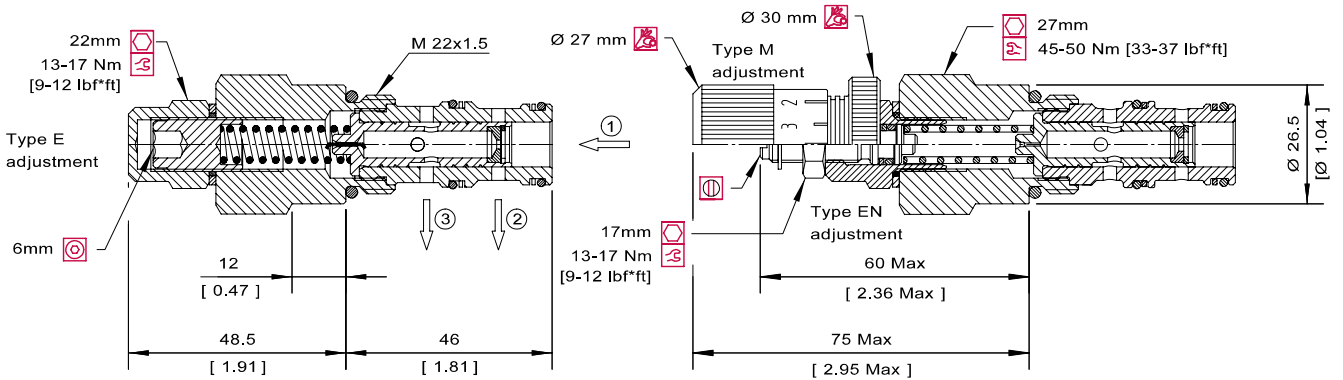
Specifications

Rated pressure	315 bar [4500 psi]
Max regulated flow	30 l/min [8 US gal/min]
Max inlet flow	50 l/min [13 US gal/min]
Weight	0.21 kg [0.46 lb]
Cavity	NCS06/3

DIMENSIONS

mm in

Cross-sectional view



ORDERING INFORMATION

VRC 06 - EN-2.0 - SE3/8 - V

<p>Type of adjustment E = Internal screw EN = External screw M = Handwheel</p> <p>Orifice size</p> <table border="1"> <thead> <tr> <th>mm</th> <th>L/min</th> <th>[US gal/m]</th> </tr> </thead> <tbody> <tr> <td>1.25</td> <td>= 1-4</td> <td>[0.3-1.1]</td> </tr> <tr> <td>2.0</td> <td>= 3-10</td> <td>[0.8-2.5]</td> </tr> <tr> <td>3.0</td> <td>= 6-20</td> <td>[1.6-5.3]</td> </tr> <tr> <td>3.5</td> <td>= 10-30</td> <td>[2.6-7.9]</td> </tr> </tbody> </table> <p>other orifices available consult factory</p>	mm	L/min	[US gal/m]	1.25	= 1-4	[0.3-1.1]	2.0	= 3-10	[0.8-2.5]	3.0	= 6-20	[1.6-5.3]	3.5	= 10-30	[2.6-7.9]	<p>Seals V = Viton Omit = Buna-N</p> <p>Seal kit 230000110 230000070</p> <p>Housing and ports 00 = No Housing SE3/8 = AL, 3/8 BSP SE1/2 = AL, 1/2 BSP SE6S = AL, #6 SAE SE8S = AL, #8 SAE Other housings available</p> <p>Housing P/N No Housing NCS06/3-SE-3/8 NCS06/3-SE-1/2 NCS06/3-SE-6S NCS06/3-SE-8S</p>
mm	L/min	[US gal/m]														
1.25	= 1-4	[0.3-1.1]														
2.0	= 3-10	[0.8-2.5]														
3.0	= 6-20	[1.6-5.3]														
3.5	= 10-30	[2.6-7.9]														