



# Flow Control Valves Technical Information

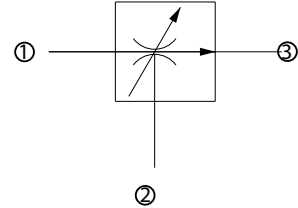
## Adjustable, Priority Type

### VRC 12

#### OPERATION

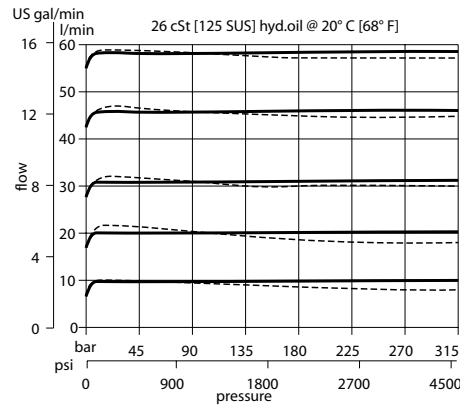
This valve is a limited adjustment, pressure compensated, priority-type flow control valve.

#### Schematic



#### SPECIFICATIONS

#### Theoretical performance



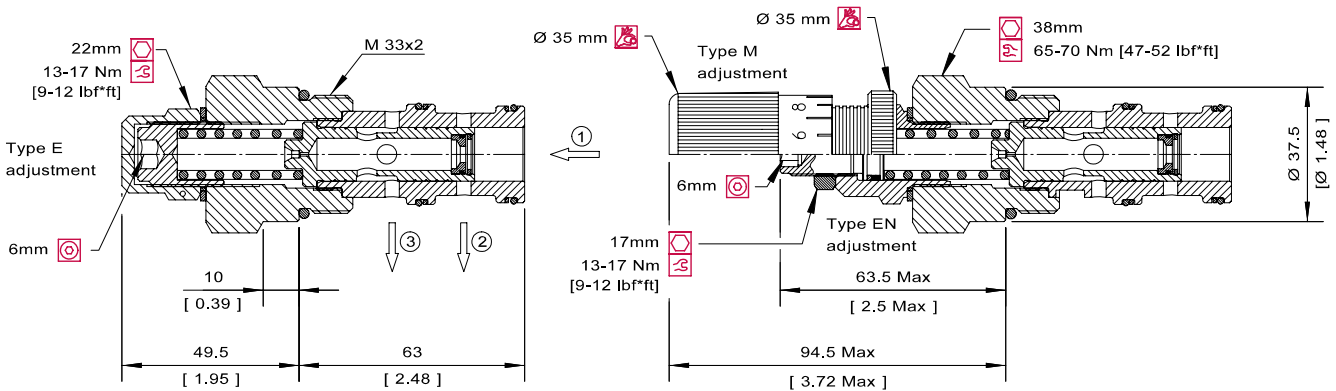
#### Specifications

<b>Rated pressure</b>	315 bar [4500 psi]
<b>Max regulated flow</b>	73 l/min [19 US gal/min]
<b>Max inlet flow</b>	100 l/min [26 US gal/min]
<b>Weight</b>	0.50 kg [1.10 lb]
<b>Cavity</b>	<b>NCS12/3</b>

#### DIMENSIONS

mm in

#### Cross-sectional view



#### ORDERING INFORMATION

**VRC 12 - EN - 1.5 - SE1/2 - V**

<b>Adjustment</b>	<b>Seals</b>	<b>Seal kit</b>
E = Internal screw	V = Viton	230000360
EN = External screw	Omit = Buna-N	230000130
M = Handwheel		
<b>Orifice size</b>	<b>Housing and ports</b>	<b>Housing P/N</b>
mm = L/min [US gal/min]	00 = No Housing	No Housing
1.50 = 2.5-6.5 [0.7-1.7]	SE1/2 = AL, 1/2 BSP	NCS12/3-SE-1/2
2.50 = 6-16 [1.6-4.2]	SE3/4 = AL, 3/4 BSP	NCS12/3-SE-3/4
3.50 = 9-32 [2.4-8.4]	SE8S = AL, #8 SAE	NCS12/3-SE-8S
4.00 = 16-40 [4.2-10.6]	SE12S = AL, #12 SAE	NCS12/3-SE-12S
5.00 = 25-60 [6.6-15.8]	Other housings available	
5.75 = 30-73 [7.9-19.3]		