



# Flow Control Valves Technical Information

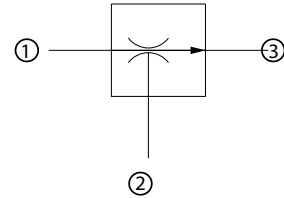
## Fixed Setting, Priority Type

### VRF 06

#### OPERATION

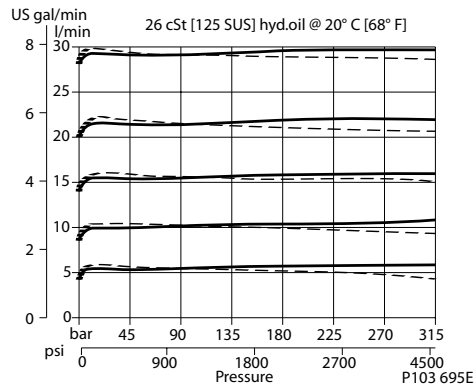
This valve is a fixed, pressure compensated, priority-type flow control.

#### Schematic



#### SPECIFICATIONS

#### Theoretical performance



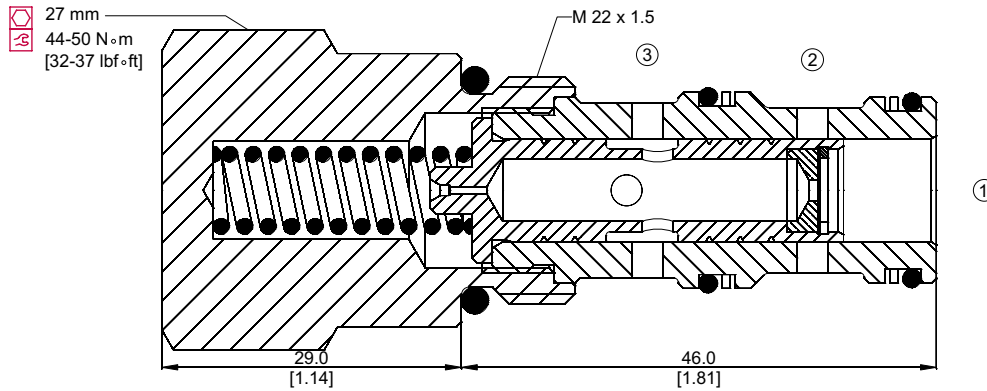
#### Specifications

<b>Rated pressure</b>	315 bar [4500 psi]
<b>Max regulated flow</b>	26 l/min [7 US gal/min]
<b>Max inlet flow</b>	50 l/min [13 US gal/min]
<b>Weight</b>	0.19 kg [0.42 lb]
<b>Accuracy ± 10%</b>	2.3-25.5 l/min [0.5-6.8 US gal/min]
<b>Cavity</b>	<b>NCS06/3</b>

#### DIMENSIONS

mm in

#### Cross-sectional view



P103 667

#### ORDERING INFORMATION

#### VRF 06 - 1.5 - SE3/8 - V

Orifice size		flow	
Orifice	L/min	[US gal/min]	
0.75	= 1.5	[0.4]	
1.00	= 2.0	[0.53]	
1.25	= 3.5	[0.92]	
1.50	= 4.5	[1.19]	
1.75	= 6	[1.58]	
2.00	= 9.0	[1.38]	
2.25	= 10	[2.64]	
2.50	= 12	[3.30]	
2.75	= 15	[3.96]	
3.00	= 18	[4.75]	
3.25	= 21.5	[5.68]	
3.50	= 25	[6.73]	

**Seals**  
V = Viton  
Omit = Buna-N

**Seal kit**  
230000110  
230000070

**Housing and ports**  
00 = No Housing  
SE3/8 = AL, 3/8 BSP  
SE1/2 = AL, 1/2 BSP  
SE6S = AL, #6 SAE  
SE8S = AL, #8 SAE  
Other housings available

**Housing P/N**  
No Housing  
NCS06/3-SE-3/8  
NCS06/3-SE-1/2  
NCS06/3-SE-6S  
NCS06/3-SE-8S

P103 722E