



Flow Control Valves Technical Information

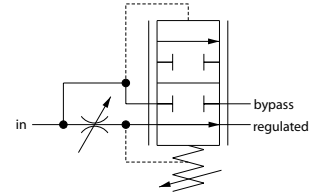
Catalog HIC

2F96-01

OPERATION

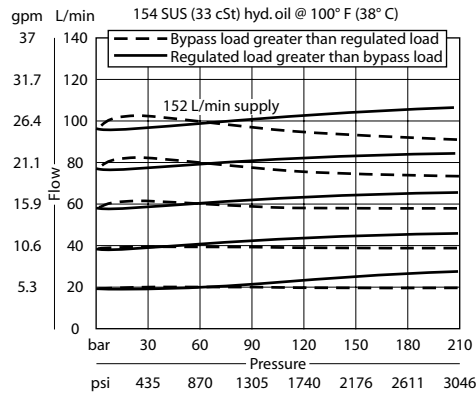
This valve is an adjustable, priority-type, pressure compensated flow control valve.

Schematic



SPECIFICATIONS

Theoretical performance



P102 682

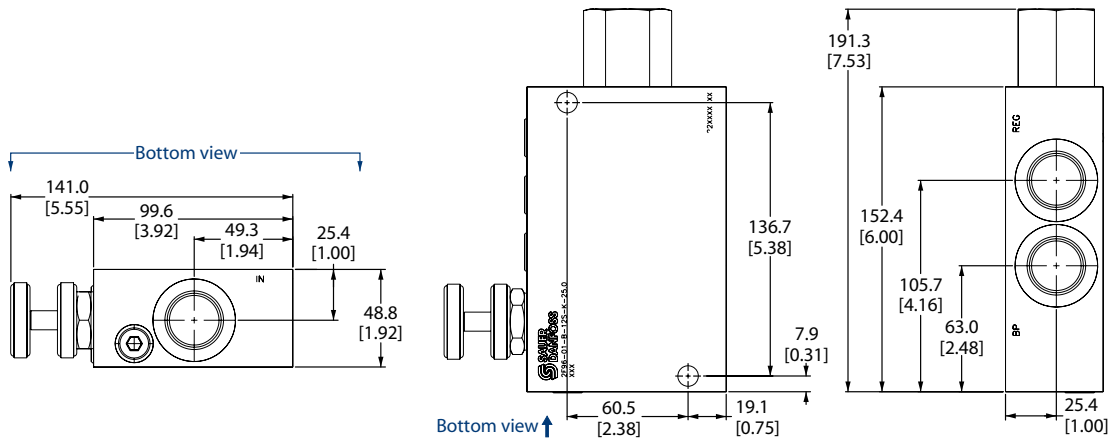
Specifications

Rated pressure	210 bar [3000 psi]
Max regulated flow	95 l/min [25 US gal/min]
Max inlet flow	150 l/min [40 US gal/min]
Weight	1.77 kg [3.90 lb]
Cavity	none

DIMENSIONS

mm in

Cross-sectional view



ORDERING INFORMATION

2F96-01-B-12S-E-25

Adjustment options
E = External adjustment
K = Knob adjustment

Body and ports
12S = Aluminum, #12 SAE

Seals

B = Buna-N
V = Viton

Seal kits
Consult Factory
Consult Factory

Adjustment range
Code = 0-25 gpm