



# Flow Control Valves Technical Information

## Velocity Fuse

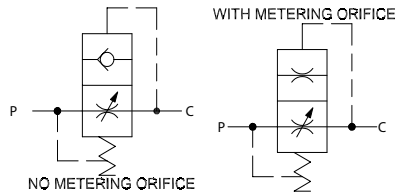
### BC 06

### OPERATION

This is an in-line flow limiter that closes and then provides non-compensated restricted flow when the specified flow setting is exceeded. The valve provides free reverse flow when operated in the opposite direction.

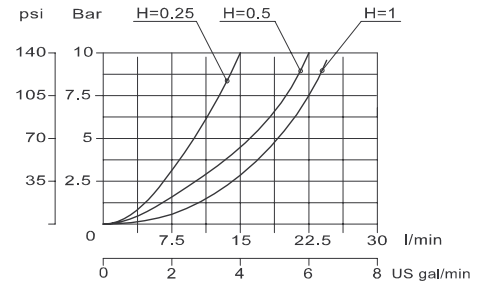
### SPECIFICATIONS

#### Schematic



#### Theoretical performance

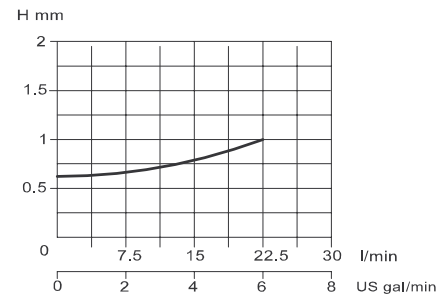
Pressure drop from P → C according to Adjustment H  
26 cSt [121 SUS] hyd.oil at 50°C [122 °F]



Values for adjustment H are guideline only, being conditioned by a variety of factors (oil temperature and viscosity, volume and flexibility of circuits).

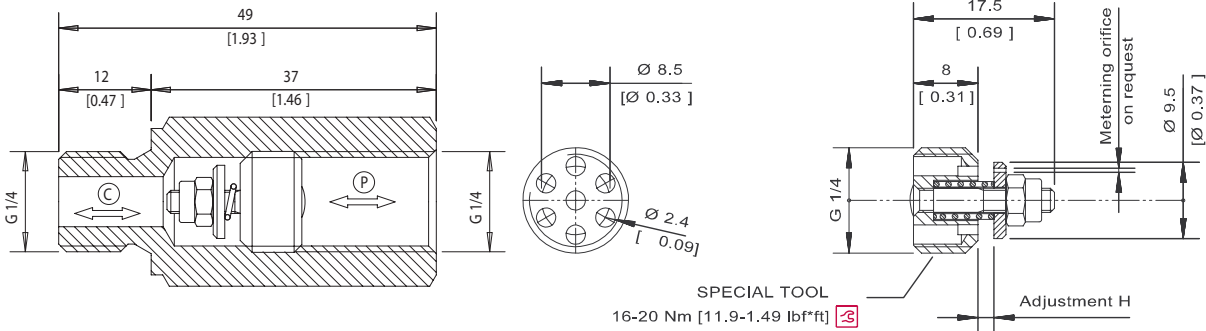
#### Specifications

<b>Pressure rating</b>	210 bar [3000 psi]
<b>Rated Free Flow at 7 bar [100 psi]</b>	30 l/min [8 US gal/min]
<b>Cavity</b>	Consult factory



### DIMENSIONS

mm [in]



### ORDERING INFORMATION

BC 06 - 1.0 - G - 00 - S1.5

Adjustment H

Metering orifice

- 00 = No factory adjustment
- 0.25 = 0.25 mm [in]
- 0.5 = 0.5 mm [in]
- 1.0 = 1.0 mm [in]
- 1.5 = 1.5 mm [in]
- 2.0 = 2.0 mm [in]

- Omit = No orifice
- S0.5 = 0.5 mm [in]
- S0.7 = 0.7 mm [in]
- S1.0 = 1.0 mm [in]
- S1.5 = 1.5 mm [in]
- S2.0 = 2.0 mm [in]

00 = Cartridge only  
L = 1/4 BSP