

OPERATION

This is a direct-acting, 2-position, 3-way, poppet-type Metric NCS 06-size solenoid valve. When de-energized, the valve checks flow from port 3, while allowing free flow between port 1 and 2. When energized, the valve poppet checks flow from port 1, while allowing free flow between port 2 and 3. This valve comes standard with a push-pin type manual override.



Shown with Standard Coil,
Deutsch Connector

APPLICATIONS

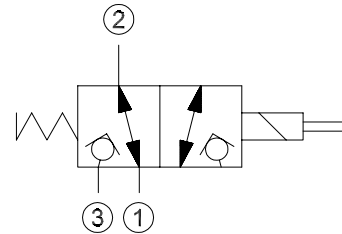
This valve is designed for hydraulic circuits requiring very low leakage and can be used for load holding and blocking applications.

SPECIFICATIONS

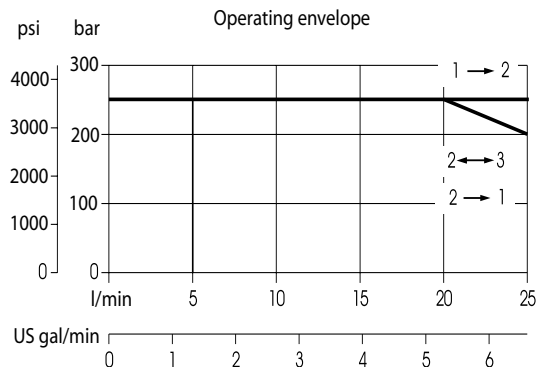
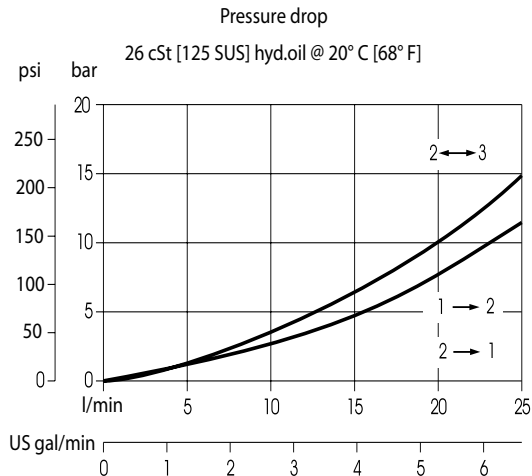
| | |
|----------------------------------|---|
| Rated pressure* | 230 bar [3300 psi] |
| Rated flow at 7 bar [100 psi] | 20 l/min [5 US gal/min] |
| Weight | 0.44 kg [0.97 lb] |
| Cavity | NCS06/3 |
| Standard Coil | M16 26 Watt |
| Robust Coil | R16 20 Watt Robust Nut P/N 173804910 (no coil O-rings needed) |

* Rated Pressure based on NFPA fatigue test standards (at 1 Million Cycles).

SCHEMATIC



PERFORMANCE CURVES





Solenoid Valves Technical Information

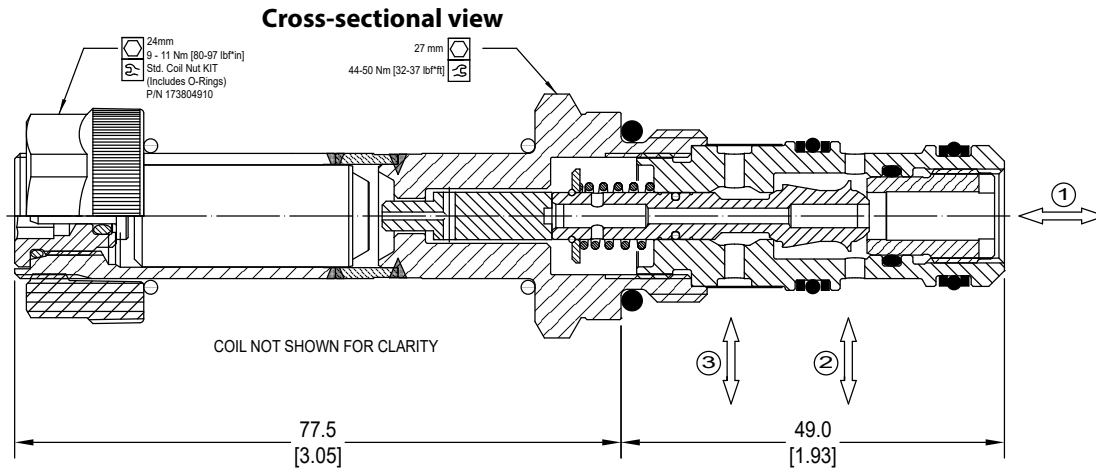
3-Way, 2-Position Poppet

EVH 06/D5



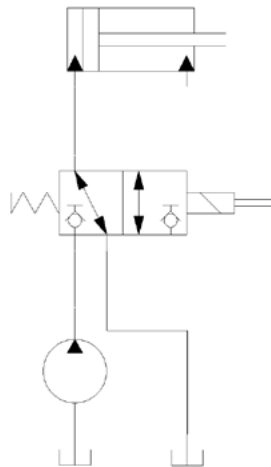
DIMENSIONS

mm [in]



EXAMPLE CIRCUITS

Single Acting Cylinder



ORDERING INFORMATION

EVH 06/D5 - 12D - DE - PB - 00 - B

Solenoid Valve, Poppet Type,
Metric NCS 06-size Cavity,
2 Position, 3 Way

| Coil Voltage | Standard Coil Code | Robust Coil Code |
|--------------------|--------------------|------------------|
| No Coil, with nut* | 00 | R00 |
| 10 VDC | 10D | R10D |
| 12 VDC | 12D | R12D |
| 20 VDC | 20D | R20D |
| 24 VDC | 24D | R24D |
| 110 VAC** | 110A | - |
| 220 VAC** | 220A | - |

* Standard coil – plastic nut and O-rings;
R-coil – steel nut P/N 173804910
(no coil O-rings needed)

** DIN only - external rectifier needed

| Coil Termination | Standard Coil Code | IP Rating | Robust Coil Code | IP Rating |
|---------------------------|--------------------|-----------|------------------|-----------|
| No Coil | 00 | - | 00 | - |
| Amp Junior | AJ | IP67 | - | - |
| Amp Junior with Diode | AJD | IP67 | - | - |
| AMP SuperSeal 1.5 | AS | IP67 | AS | IP69K |
| AMP SuperSeal with Diode | ASD | IP67 | ASDB | IP69K |
| Deutsch | DE | IP67 | DE | IP69K |
| Deutsch with Diode | DED | IP67 | DEDB | IP69K |
| Flying Leads | FL | IP65 | FL | IP69K |
| Flying Leads with Diode | FLD | IP65 | FLDB | IP69K |
| DIN 43650 | DN | IP65 | - | - |
| Metri-Pack 150 Type 2 | - | - | M3 | IP69K |
| Metri-Pack 150 with Diode | - | - | M3DB | IP69K |

| Seal Code | Material | Seal Kits |
|-----------|----------|-----------|
| B | Buna-N | 230000590 |
| V | Viton | 230000430 |

| Code | Body and Ports | Body Nomenclature |
|-------|----------------|-------------------|
| 00 | Cartridge Only | No Body |
| SE6S | #6 SAE, AL | NCS06/3-SE-6S |
| SE8S | #8 SAE, AL | NCS06/3-SE-8S |
| SE3/8 | 3/8 BSP, AL | NCS06/3-SE-3/8 |
| SE1/2 | 1/2 BSP, AL | NCS06/3-SE-1/2 |

| Code | Manual Override |
|------|--|
| Omit | Push Pin (Standard) |
| PB | Push Button |
| SPS | Screw Style (Push-Type Valve) |
| OPS | Push Pin Nut for Protection & Actuation |
| PAT | Push and Twist |