



Solenoid Valves Technical Information

2-Way Spool

HSV08-22-02



OPERATION

This is a 2-position, 2-way, normally closed, pull-type spool type solenoid valve. When de-energized, the HSV08-22-02 blocks flow in both directions. When energized, the spool shifts to allow flow in both directions. Follow the "Operating Envelope" limits to ensure shifting of the valve during operation.



Shown with Standard Coil,
Deutsch Connector

APPLICATIONS

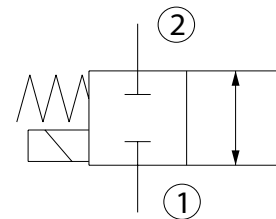
These spool-type valves are primarily used in mobile and industrial applications for blocking the flow of a 2-way function, pump unloading or cylinder regeneration. Solenoid spool-type valves are direct acting and respond quickly to coil voltage input. Spool valves will have some leakage due to spool clearance, so if your application requires no leakage at the working port(s), apply a low leakage poppet valve(s), like PO check valve, counterbalance valve, etc., in addition to this solenoid valve.

SPECIFICATIONS

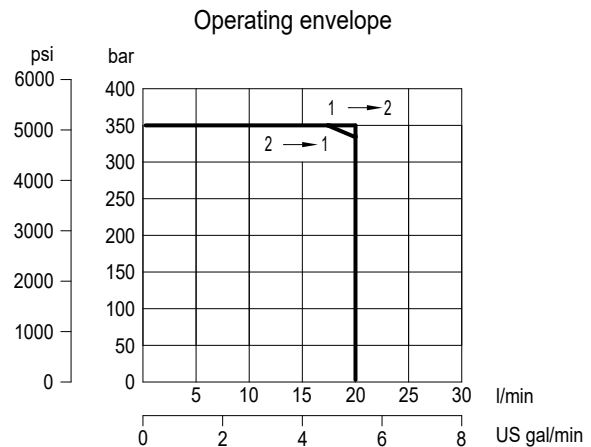
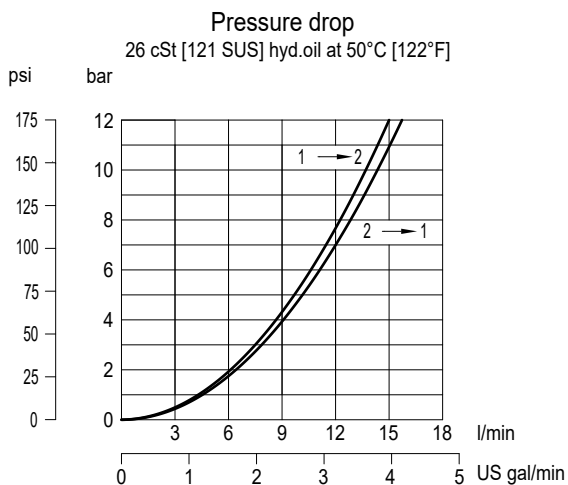
Rated pressure*	350 bar [5075 psi]
Rated flow at 7 bar [100 psi]	12 l/min [3.2 US gal/min]
Weight	0.35 kg [0.77 lb]
Cavity	SDC08-2
Standard Coil	M13 20 Watt
Robust Coil	R13 16 Watt Robust Nut P/N 173800539 (no coil O-rings needed)

* Rated Pressure based on NFPA fatigue test standards (at 1 Million Cycles).

SCHEMATIC



PERFORMANCE CURVES

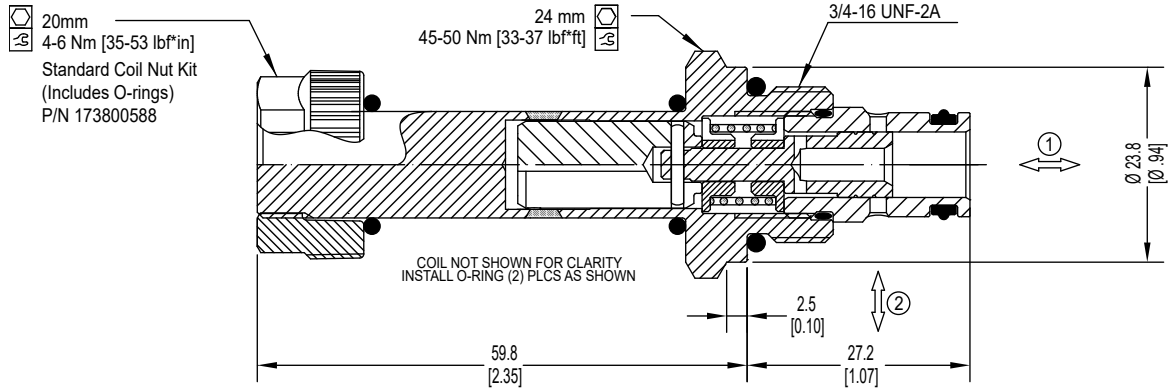




DIMENSIONS

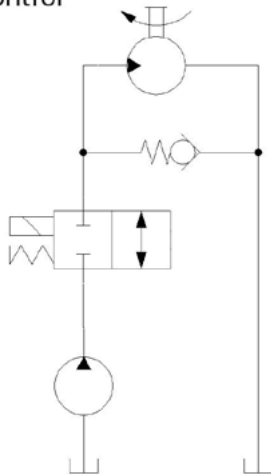
mm [in]

Cross-sectional view

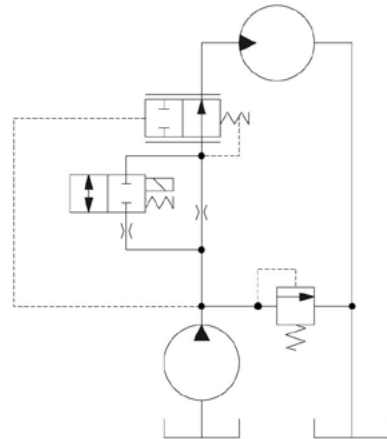


EXAMPLE CIRCUITS

On-Off Motor Control



Two-speed motor circuit



ORDERING INFORMATION

HSV08 - 22 - 02 - 12D - DE - XC - P - 00

High Pressure Solenoid Valve
Normally-Closed, 2 position, 2 way, 08-Size.

Coil Voltage		
Description	Standard Coil Code	Robust Coil Code
No Coil	00	R00
12 VDC	12D	R12D
24 VDC	24D	R24D

Coil Termination				
Description	Standard Coil Code	IP Rating	Robust Coil Code	IP Rating
No Coil	00	-	00	-
Flying Lead	FL	IP65	FL	IP69K
Deutsch	DE	IP69K	DE	IP69K
AMP SuperSeal 1.5	AS	IP67	AS	IP69K
AMP SuperSeal with Diode	ASD	IP67	ASDB	IP69K
Deutsch with Diode	DED	IP69K	DEDB	IP69K
Flying Lead with Diode	FLD	IP65	FLDB	IP69K
DIN 43650	DN	IP65	-	-

Housings

Code	Ports & Material	Body Nomenclature
00	Cartridge only	No Body
S3B	3/8 BSP, Steel	CP08-2-S3B
S4B	1/2 BSP, Steel	CP08-2-S4S
S6S	#6 SAE, Steel	CP08-2-S6S

*** Aluminum bodies available for lower pressure applications [less than 210 bar (3000 psi)]. Please consult factory for details.

Seal Option

Code	Seal Material	Seal kit
P	Polyurethane Single Seal	11167278

Manual Overrides

Code	Description
XC	No manual override