



Solenoid Valves Technical Information

2-Way Spool

HSV10-22-02



OPERATION

This is a Spool Type, 2-Position, 2-Way, Normally Closed, Pull-Type, 10-size Solenoid Valve. When de-energized, the HSV10-22-02 blocks flow in both directions. When energized, the spool shifts to allow flow in both directions. Follow the "Operating Envelope" limits to ensure shifting of the valve during operation.

APPLICATIONS

These spool-type valves are primarily used in mobile and industrial applications for blocking the flow of a 2-way function, pump unloading or cylinder regeneration. Solenoid spool-type valves are direct acting and respond quickly to coil voltage input. Spool valves will have some leakage due to spool clearance, so if your application requires no leakage at the working port(s), apply a low leakage poppet valve(s), like PO check valve, counterbalance valve, etc., in addition to this solenoid valve.



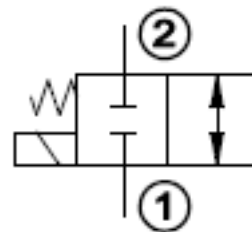
Shown with Standard H16 Coil, Deutsch Connector

SPECIFICATIONS

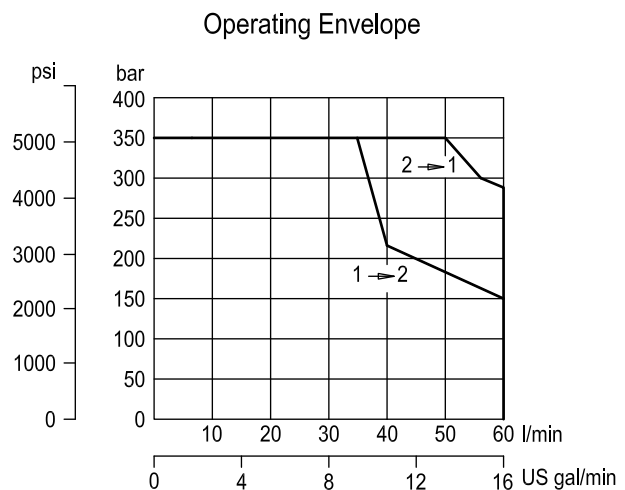
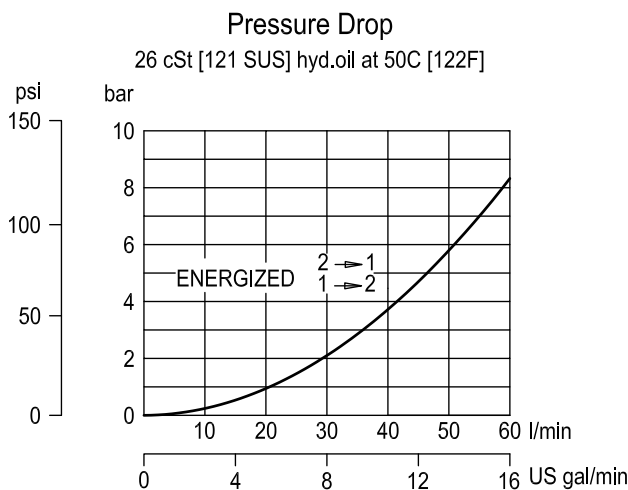
Rated pressure*	350 bar [5075 psi]*
Rated flow at 7 bar [100 psi]	50 l/min [13 US gal/min]
Weight	0.42 kg [0.93 lb]
Cavity	SDC10-2
Standard Coil	H16 29 Watt

* Rated Pressure based on NFPA fatigue test standards (at 1 Million Cycles).

SCHEMATIC



PERFORMANCE CURVES





Solenoid Valves Technical Information

2-Way Spool

HSV10-22-02

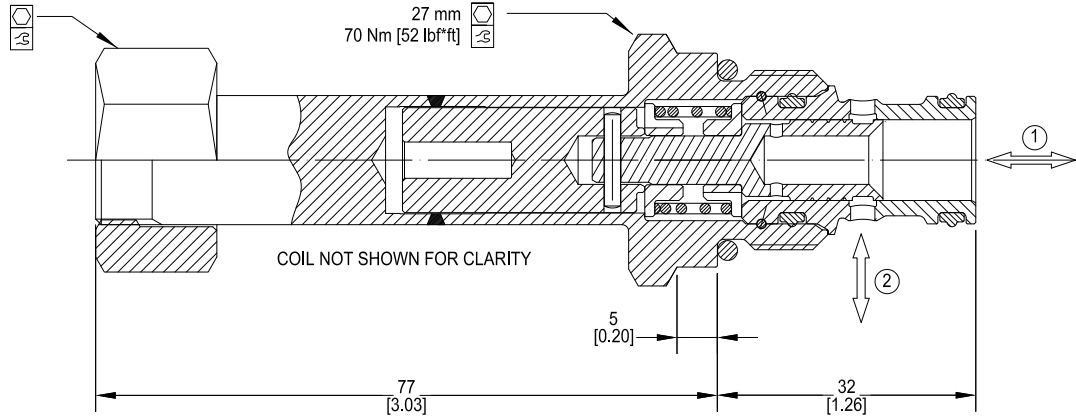


DIMENSIONS

mm [in]

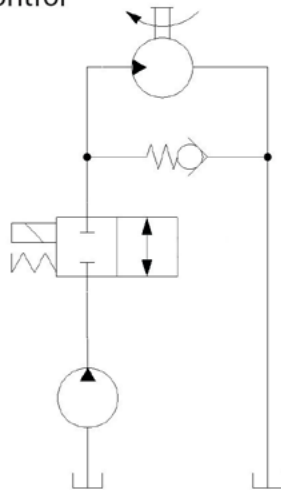
24mm
9-11 Nm
[80-97 lbf*in]
P/N 173804910

Cross-sectional view

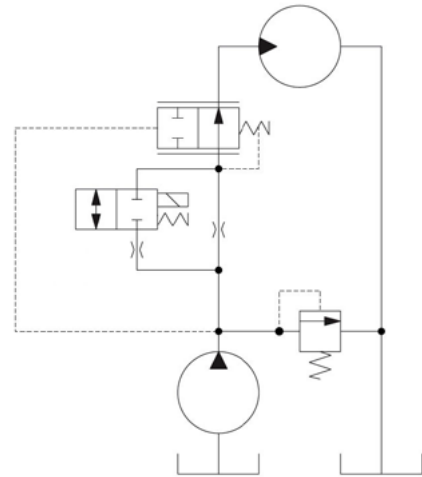


EXAMPLE CIRCUITS

On-Off Motor Control



Two-speed motor circuit



ORDERING INFORMATION

HSV10 - 22 - 02 - H12D - DE - XC - P - 00

High Pressure Solenoid Valve
Normally-Closed, Direct Acting,
10 Size, Spool Type

Coil Voltage

Code	Description
00	No Coil
H12D	12 VDC
H24D	24 VDC

Coil Termination

Code	Description	IP Rating
00	No Coil	-
FL	Flying Lead	IP69K
DE	Deutsch	IP69K
AS	AMP Super Seal 1.5 & Metri Pack 150 type 1	IP69K
ASDB	AMP Super Seal with Diode Bidirectional	IP69K
DEDB	Deutsch with Diode Bidirectional	IP69K
FLDB	Flying Lead with Diode Bidirectional	IP69K

Bodies

Code	Ports & Material	Body Nomenclature
00	Cartridge Only	No Body
S3B	3/8 BSP, Ductile	SDC10-2-S3B
S4B	1/2 BSP, Ductile	SDC10-2-S4B
S6S	#6 SAE, Ductile	SDC10-2-S6S
S8S	#8 SAE, Ductile	SDC10-2-S8S

*** Aluminum Bodies available for lower pressure applications. Please consult factory for details.

Seal Option

Code	Seal Material	Seal Kit
P	Polyurethane Single Seal	11132135

Manual Overrides

Code	Description
XC	No Manual Override