

OPERATION

Solenoid Valve, Spool Type, 2-Position, 3-Way, Normally Closed, Pull-Type. When de-energized, the HSV10-23-01 allows flow from port 1 to port 2, while port 3 is blocked. When energized, flow is allowed from port 3 to port 1, while port 2 is blocked. Follow the "Operating Envelope" limits to ensure shifting of the valve during operation. This valve comes standard with a one-direction, push-pin manual override.



Shown with Robust Coil,
Metri-Pack Type 1 Connector

APPLICATIONS

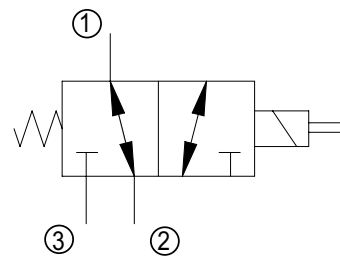
These spool-type valves are commonly used in a selector circuit, or as an on/off pilot control for a directional spool valve. Solenoid spool-type valves are direct acting and respond quickly to coil voltage input. Spool valves will have some leakage due to spool clearance, so if your application requires no leakage at the working port(s), apply a low leakage poppet valve(s), like PO check valve, counterbalance valve, etc., in addition to this solenoid valve.

SPECIFICATIONS

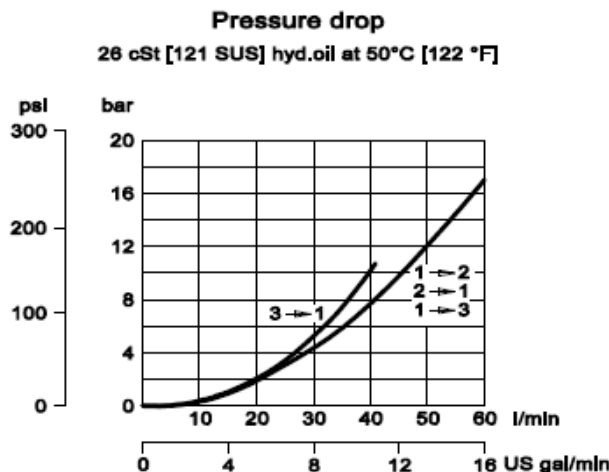
Rated pressure*	350bar [5075 psi]*
Rated flow at 7 bar [100 psi]	30 l/min [8 US gal/min]
Weight	0.57 kg [1.26 lb]
Cavity	SDC10-3
Standard Coil	H16 29Watt

* Rated Pressure based on NFPA fatigue test standards (at 1 Million Cycles).

SCHEMATIC



PERFORMANCE CURVES

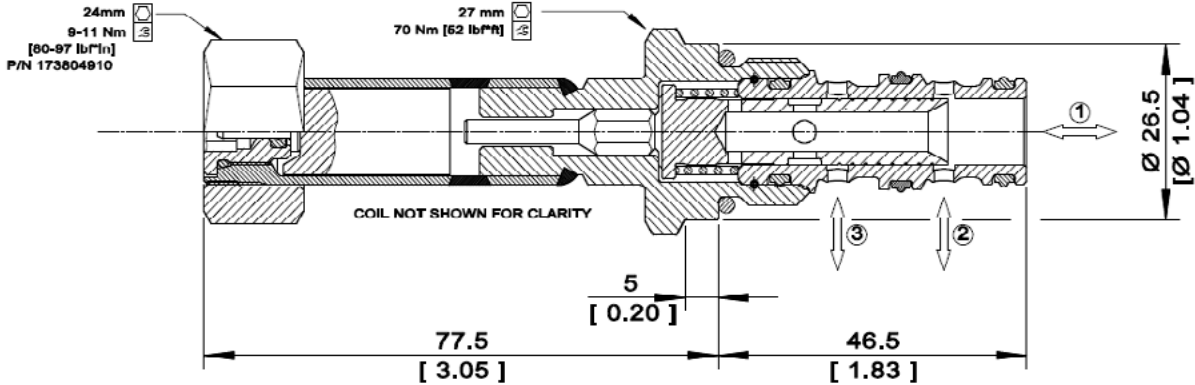




DIMENSIONS

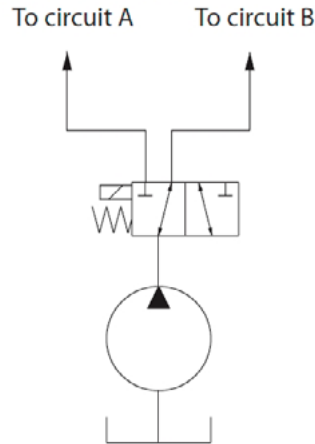
mm [in]

Cross-sectional view



EXAMPLE CIRCUITS

Selector circuit



ORDERING INFORMATION

HSV10 - 23 - 01 - H12D - DE - PN - P - 00

High Pressure Solenoid Valve,
This is a direct-acting, 2-position,
3-way, spool-type solenoid valve.

Coil Voltage	
Code	Description
H00	No Coil
H12D	12 VDC
H24D	24 VDC

Coil Termination

Code	Description	IP Rating
00	No Coil	-
FL	Flying Lead	IP 69k
DE	Deutsch	IP 69k
AS	AMP SuperSeal 1.5 and Metri-Pack 150 type 1	IP 69k
ASDB	AMP Super Seal with Diode Bidirectional	IP 69k
DEDB	Deutsch with Diode Bidirectional	IP 69k
FLDB	Flying Lead with Diode Bidirectional	IP 69k

Bodies

Code	Port & Material	Body Nomenclature
00	Cartridge only	No Body
S3B	3/8 BSP, Ductile	SDC10-3-S3B
S4B	1/2 BSP, Ductile	SDC10-3-S4B
S6S	#6 SAE, Ductile	SDC10-3-S6S
S8S	#8 SAE, Ductile	SDC10-3-S8S

*** Aluminum bodies available for lower pressure application. Please consult factory for details.

Seal Option

Code	Seal Material	Seal kit
P	Polyurethane Single Seal	11140113

Manual Override

Code	Description
PN	Push Pin
OPS	Push Pin M/O Nut for Protection & Actuation
PAT	Push and Twist