



### OPERATION

This is a normally-closed, pilot-operated, poppet-style 10-size solenoid valve. When de-energized, the HSVP10-NC acts as a check valve allowing flow from port 1 to port 2, and blocking flow from port 2 to port 1. When energized, the valve's poppet is shifted and allows flow from port 2 to port 1, and severely restricts from port 1 to port 2.

### APPLICATIONS

The HSVP10-NC is designed to function as load holding or blocking valve in applications where low internal leakage is required. In load holding applications, the circuit should be designed so that the de-energized state is the position that is holding the load.



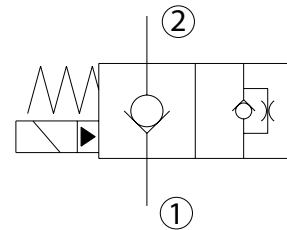
Shown with Standard H16 Coil, Deutsch Connector

### SPECIFICATIONS

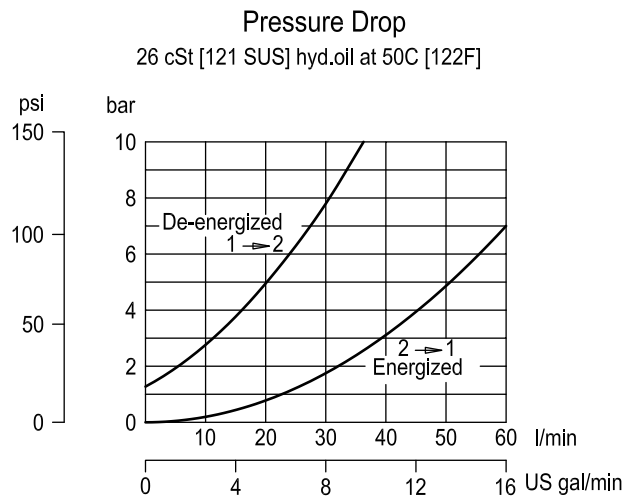
Rated pressure*	350 bar [5075 psi]*
Rated flow at 7 bar [100 psi]	65 l/min [17 US gal/min]
Leakage	6 drops/min @ Rated pressure
Weight	0.42 kg [0.93 lb]
Cavity	<b>SDC10-2</b>
Standard Coil	<b>H16</b> 29 Watt

\* Rated Pressure based on NFPA fatigue test standards (at 1 Million Cycles).

### SCHEMATIC



### PERFORMANCE CURVES





# Solenoid Valves Technical Information

## 2-Way Poppet

### HSVP10-NC

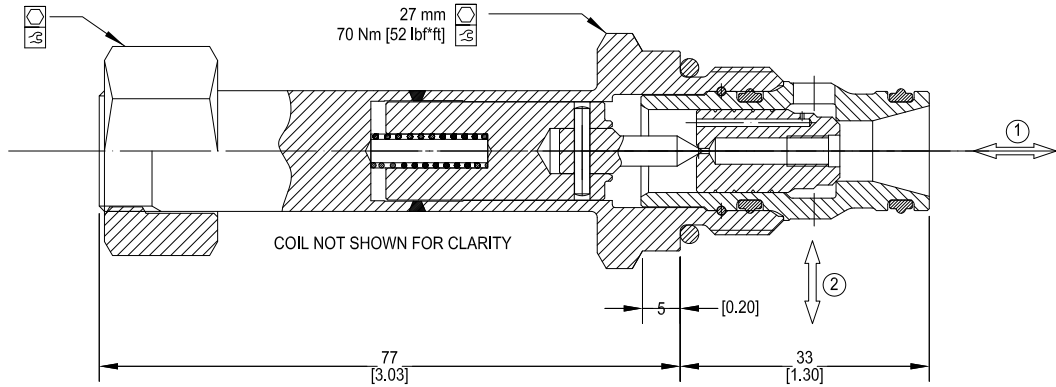


### DIMENSIONS

mm [in]

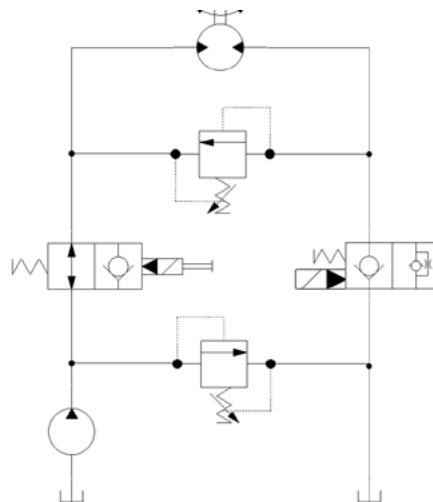
24mm  
9-11 Nm  
[80-97 lbf\*in]  
P/N 173804910

### Cross-sectional view



### EXAMPLE CIRCUITS

#### On/Off Motor Circuit



### ORDERING INFORMATION

HSVP10 - NC - H12D - DE - XC - P - 00

High Pressure Solenoid Valve  
Normally-Closed, Pilot Operated,  
10 Size, Poppet Type

#### Coil Voltage

Code	Description
00	No Coil
H12D	12 VDC
H24D	24 VDC

#### Coil Termination

Code	Description	IP Rating
00	No Coil	-
FL	Flying Lead	IP69K
DE	Deutsch	IP69K
AS	AMP Super Seal 1.5 & Metri Pack 150 type 1	IP69K
ASDB	AMP Super Seal with Diode Bidirectional	IP69K
DEDB	Deutsch with Diode Bidirectional	IP69K
FLDB	Flying Lead with Diode Bidirectional	IP69K

#### Bodies

Code	Ports & Material	Body Nomenclature
00	Cartridge Only	No Body
S3B	3/8 BSP, Ductile	SDC10-2-S3B
S4B	1/2 BSP, Ductile	SDC10-2-S4B
S6S	#6 SAE, Ductile	SDC10-2-S6S
S8S	#8 SAE, Ductile	SDC10-2-S8S

\*\*\* Aluminum Bodies available for lower pressure applications. Please consult factory for details.

#### Seal Option

Code	Seal Material	Seal Kit
P	Polyurethane Single Seal	11132135
V	Viton	354000819

#### Manual Overrides

Code	Description
XC	No Manual Override