

OPERATION

This is a normally-open, poppet-style 10-size solenoid valve. When de-energized, the valve allows free flow from 2 to 1 or 1 to 2. When energized, the valve's poppet is seated and flow is blocked in both directions.

APPLICATIONS

The HSVP10-ODB is designed for high pressure, low leakage applications and can be used to control the advance and retract of single acting and double acting cylinders. The valve can also be used to lock pressure in a group of cylinders.



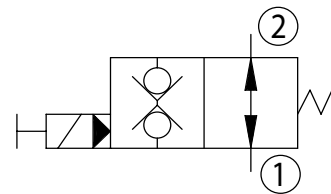
Shown with Robust Coil,
Deutsch Connector

SPECIFICATIONS

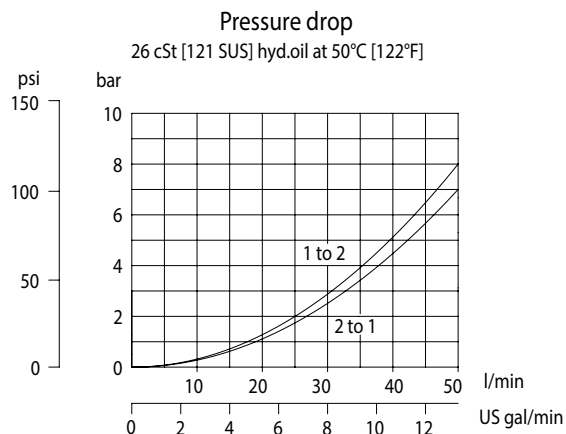
Rated pressure*	350 bar [5075 psi]
Rated flow at 7 bar [100 psi]	50 l/min [13.2 US gal/min]
Leakage	6 drops/min @ Rated Pressure
Weight	0.42 kg [0.93 lb]
Cavity	SDC10-2
Standard Coil	H16 29 Watt

*Rated Pressure based on NFPA fatigue test standard (at 1 Million Cycles)

SCHEMATIC



PERFORMANCE CURVES





Solenoid Valves Technical Information

2-Way Poppet

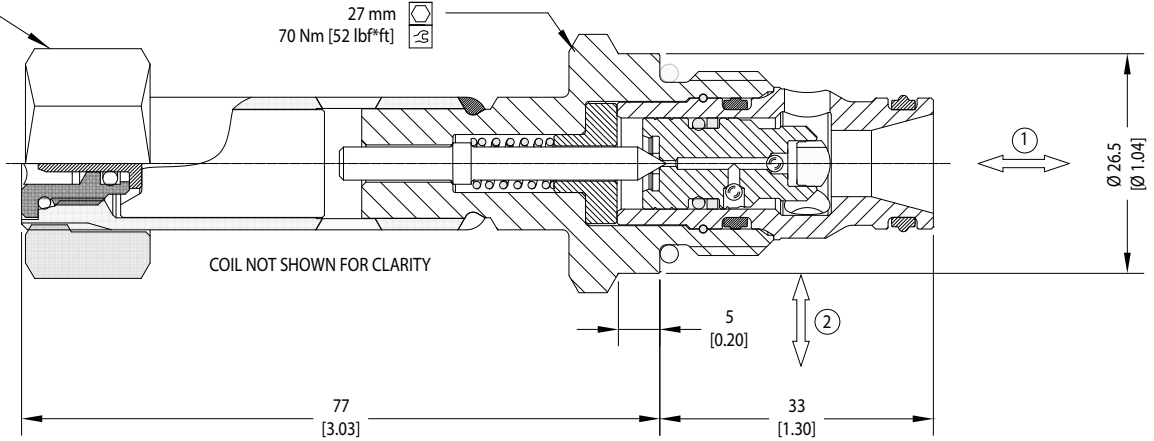
HSVP10-ODB



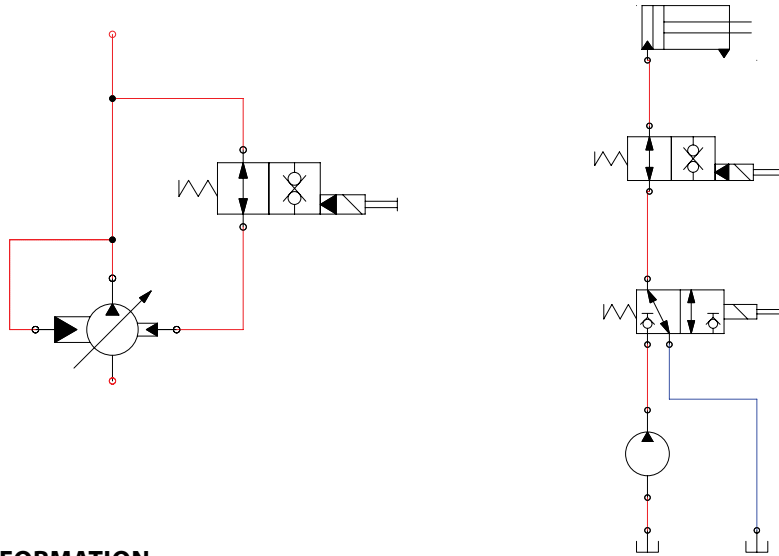
DIMENSIONS

mm [in]
 24mm
 9-11 Nm
 [80-97 lbf*in]
 P/N 173804910

Cross-sectional view



EXAMPLE CIRCUITS



ORDERING INFORMATION

HSVP10 - ODB - H12D - DE - PN - P - 00

High Pressure Solenoid Valve,
 Poppet type, 10 Size cavity
 ODB: Normally Open,
 Double Blocking, Push Type

Coil Voltage	
Code	Description
00	No Coil
H12D	12 VDC
H24D	24 VDC

Coil Termination		
Code	Description	IP Rating
00	No Coil	-
FL	Flying Lead	IP 69k
DE	Deutsch	IP 69k
AS	AMP SuperSeal 1.5 and Metri-Pack 150 type 1	IP 67
ASDB	AMP Super Seal with Diode Bidirectional	IP 67
DEDB	Deutsch with Diode Bidirectional	IP 69k
FLDB	Flying Lead with Diode Bidirectional	IP 69k

Bodies

Code	Port & Material	Body Nomenclature
00	Cartridge only	No Body
S3B	3/8 BSP, Ductile	SDC10-2-S3B
S4B	1/2 BSP, Ductile	SDC10-2-S4B
S6S	#6 SAE, Ductile	SDC10-2-S6S
S8S	#8 SAE, Ductile	SDC10-2-S8S

*** Aluminum bodies available for lower pressure application. Please consult factory for details.

Seal Option

Code	Seal Material	Seal kit
P	Polyurethane Single Seal	11132135

Manual Override

Code	Description
PN	Push Pin
OPS	Push Pin M/O Nut for Protection & Actuation
PAT	Push and Twist