

### OPERATION

This is a normally-closed, pilot-operated, poppet-style 12-size solenoid valve. When de-energized, the HSVP12-NC acts as a check valve allowing flow from port 1 to port 2, and blocking flow from port 2 to port 1. When energized, the valve's poppet is shifted and allows flow from port 2 to port 1, and severely restricts from port 1 to port 2.

### APPLICATIONS

The HSVP12-NC is designed to function as load holding or blocking valve in applications where low internal leakage is required. In load holding applications, the circuit should be designed so that the de-energized state is the position that is holding the load.



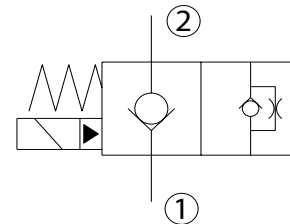
Shown with Standard H16 Coil,  
Deutsch Connector

### SPECIFICATIONS

Rated pressure*	350 bar [5075 psi]*
Rated flow at 7 bar [100 psi]	114 l/min [30 US gal/min]
Leakage	6 drops/min @ Rated pressure
Weight	0.67 kg [1.47 lb]
Cavity	<b>CP12-2</b>
Standard Coil	<b>H16</b> 29 Watt

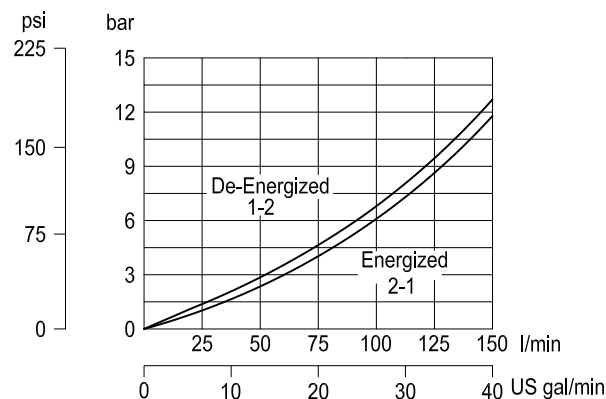
\* Rated Pressure based on NFPA fatigue test standards (at 1 Million Cycles).

### SCHEMATIC



### PERFORMANCE CURVES

Pressure Drop  
26 cSt [121 SUS] hyd.oil at 50C [122F]

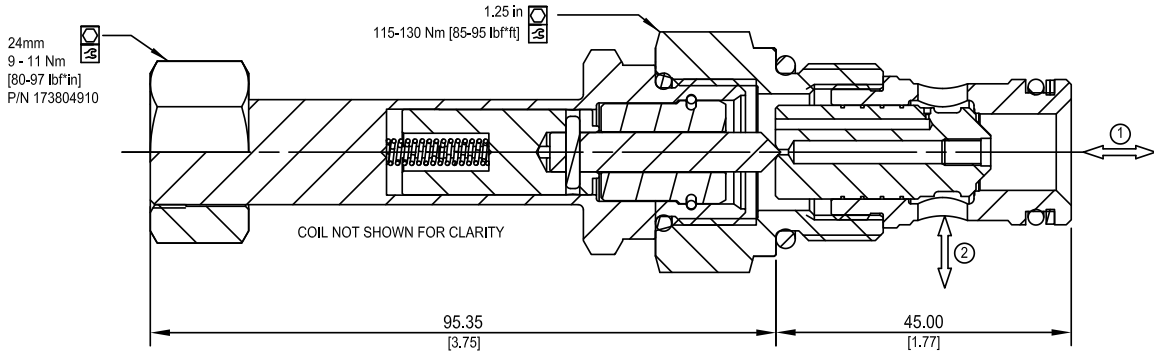




### DIMENSIONS

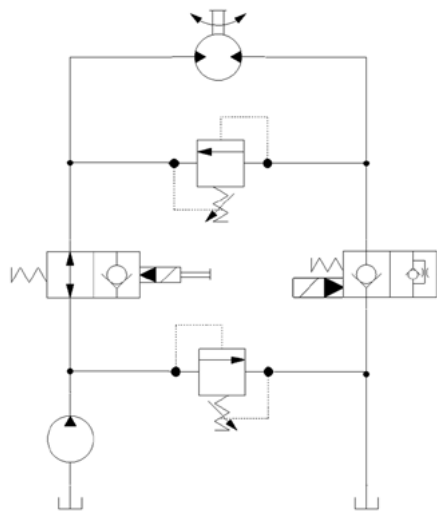
mm [in]

### Cross-sectional view



### EXAMPLE CIRCUITS

#### On/Off Motor Circuit



### ORDERING INFORMATION

HSVP12 - NC - H12D - DE - XC - B - 00

High Pressure Solenoid Valve  
Normally-Closed, Pilot Operated,  
12 Size, Poppet Type

#### Coil Voltage

Code	Description
H00	No Coil
H12D	12 VDC
H24D	24 VDC

#### Coil Termination

Code	Description	IP Rating
00	No Coil	-
FL	Flying Lead	IP69K
DE	Deutsch	IP69K
AS	AMP Super Seal 1.5 & Metri Pack 150 type 1	IP69K
ASDB	AMP Super Seal with Diode Bidirectional	IP69K
DEDB	Deutsch with Diode Bidirectional	IP69K
FLDB	Flying Lead with Diode Bidirectional	IP69K

#### Bodies

Code	Ports & Material	Body Nomenclature
00	Cartridge Only	No Body
10S	#10 SAE, AL	CP12-2-10S
S10S	#10 SAE, DUCTILE	CP12-2-S10S
12S	#12 SAE, AL	CP12-2-12S
S12S	#12 SAE, DUCTILE	CP12-2-S12S
4B	1/2 BSP, AL	CP12-2-4B
S4B	1/2 BSP, DUCTILE	CP12-2-S4B
6B	3/4 BSP, AL	CP12-2-6B
S6B	3/4 BSP, DUCTILE	CP12-2-S6B

\*\*Aluminum bodies are to be used for lower pressures less than 210 bar (3,000 psi)

#### Seal Option

Code	Seal Material	Seal Kit
B	Buna	120017
V	Viton	120018

#### Manual Overrides

Code	Description
XC	No Manual Override