

### OPERATION

This is a normally open, pilot-operated, poppet-type 20-size solenoid valve. When de-energized, the HSVP20-NO severely restricts flow from port 1 to port 2, while allowing flow from port 2 to 1. When energized, the valve's poppet is shifted to block flow from port 2 to port 1, and allow reverse flow between port 1 to port 2 at a high pressure drop. This valve comes standard with a push pin type manual override.



Shown with Standard H16 Coil,  
Deutsch Connector

### APPLICATIONS

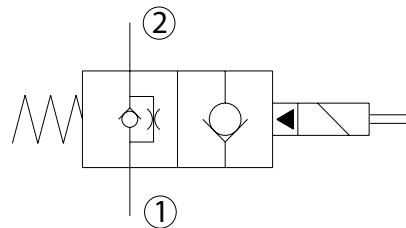
This valve is designed for use for uni-directional blocking, load holding, clamping or gripping applications in hydraulic circuits where low internal leakage is required.

### SPECIFICATIONS

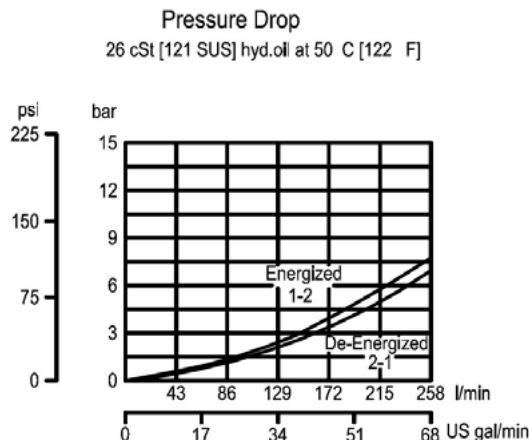
Rated pressure*	350 bar [5075 psi]*
Rated flow at 7 bar [100 psi]	265 l/min [70 US gal/min]
Leakage	6 drops/min @ Rated pressure
Weight	1.04 kg [2.29 lb]
Cavity	<b>SDC20-2</b>
Standard Coil	<b>H16</b> 29 Watt

\* Rated Pressure based on NFPA fatigue test standards (at 1 Million Cycles).

### SCHEMATIC



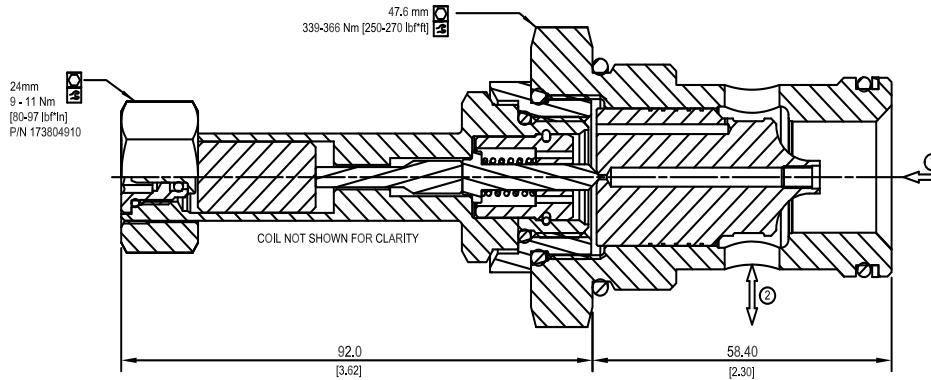
### PERFORMANCE CURVES



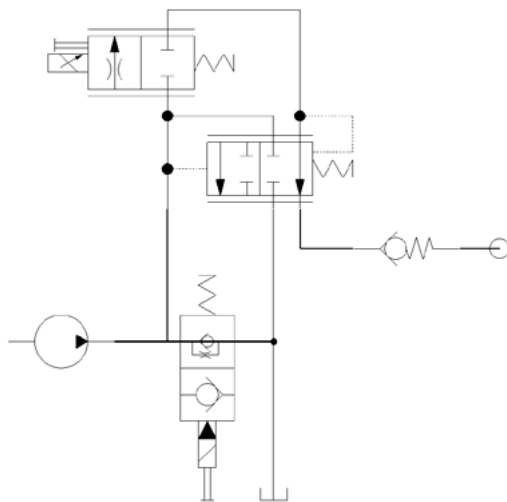
### DIMENSIONS

mm [in]

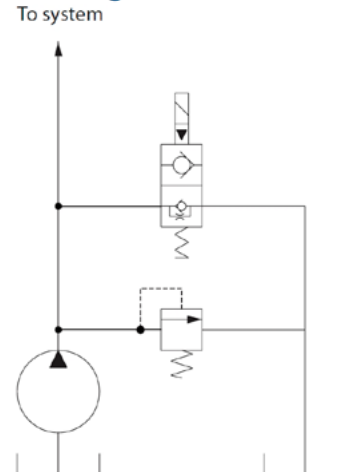
### Cross-sectional view



### EXAMPLE CIRCUITS



### Pump unloading



### ORDERING INFORMATION

High Pressure Solenoid Valve  
Normally-Open, Pilot Operated,  
20 Size, Poppet Type

HSVP20 - NO - H12D - DE - PN - B - 00

#### Coil Voltage

Code	Description
H00	No Coil
H12D	12 VDC
H24D	24 VDC

#### Coil Termination

Code	Description	IP Rating
00	No Coil	-
FL	Flying Lead	IP69K
DE	Deutsch	IP69K
AS	AMP Super Seal 1,5 & Metri Pack 150 type 1	IP69K
ASDB	AMP Super Seal with Diode Bidirectional	IP69K
DEDB	Deutsch with Diode Bidirectional	IP69K
FLDB	Flying Lead with Diode Bidirectional	IP69K

#### Bodies

Code	Ports & Material	Body Nomenclature
00	Cartridge Only	No Body
16S	#16 SAE, AL	SDC20-2-16S
S16S	#16 SAE, DUCTILE	SDC20-2-S16S
20S	#20 SAE, AL	SDC20-2-6B
S20S	#20 SAE, DUCTILE	SDC20-2-S6B
8B	1 BSP, AL	SDC20-2-8B
S8B	1 BSP, DUCTILE	SDC20-2-S8B
10B	1 1/4 BSP, AL	SDC20-2-10B
S10B	1 1/4 BSP, DUCTILE	SDC20-2-S10B

\*\*Aluminum bodies are to be used for lower pressures less than 210 bar (3,000 psi)

#### Seal Option

Code	Seal Material	Seal Kit
B	Buna	120011
V	Viton	120012

#### Manual Overrides

Code	Description
PN	Push Pin
OPS	Push Pin M/O Nut for Protection & Actuation
PAT	Push and Twist