

### OPERATION

Solenoid Valve, Spool Type, 2-Position, 3-Way, 10-Size. When de-energized, the SV10-23-04 allows flow from port 3 to port 2, blocking port 1. When energized, ports 2 and 1 are connected, blocking port 3. Port 1 may be fully pressurized, but is not intended to be the inlet port. Follow the "Operating Envelope" limits to ensure shifting of the valve during operation.



Shown with Robust Coil, Deutsch Connector

### APPLICATIONS

These spool-type valves are primarily used in mobile and industrial applications for controlling the direction of the flow in a circuit like a single-acting cylinder, clutch, brake, circuit selector valve, or pilot for a large directional spool valve. Solenoid spool-type valves are direct acting and respond quickly to coil voltage input. Spool valves will have some leakage due to spool clearance, so if your application requires no leakage at the working port(s), apply a low leakage poppet valve(s), like PO check valve, counterbalance valve, etc., in addition to this solenoid valve. This valve can be pressurized to 315 Bar on port 2 for 500,000 operating cycles.

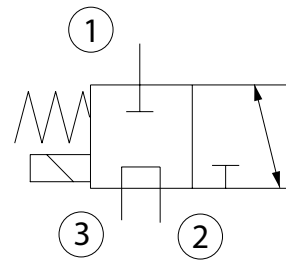
### SPECIFICATIONS

Rated pressure*	230 bar [3300 psi]**
Rated flow at 7 bar [100 psi]	20 l/min [5 US gal/min]
Weight	0.42 kg [0.93 lb]
Cavity	<b>SDC10-3</b>
Standard Coil	<b>M16</b> 26 Watt
Robust Coil	<b>R16</b> 20 Watt Robust Nut P/N <b>173804910</b> (no coil O-rings needed)

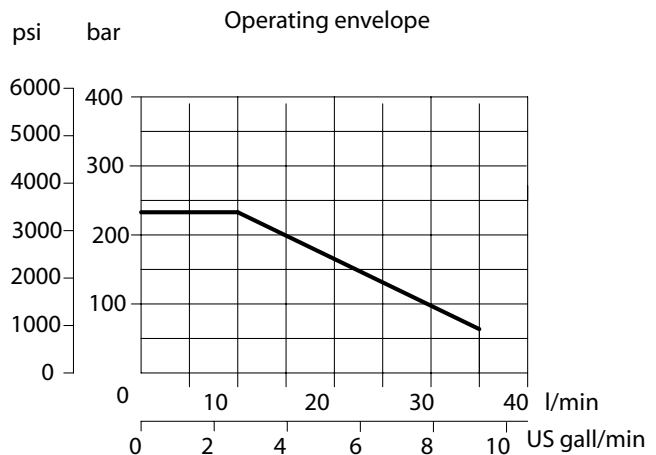
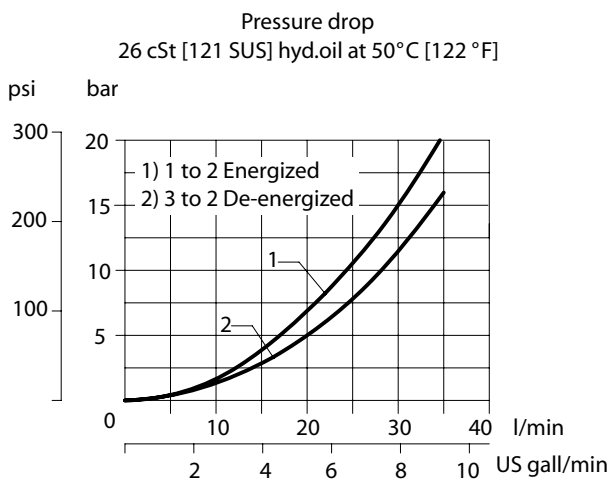
\* Rated Pressure based on NFPA fatigue test standards (at 1 Million Cycles).

\*\* See 315 bar pressure rating note on page 10.

### SCHEMATIC



### PERFORMANCE CURVES





# Solenoid Valves Technical Information

## 3-Way, 2-Position Spool

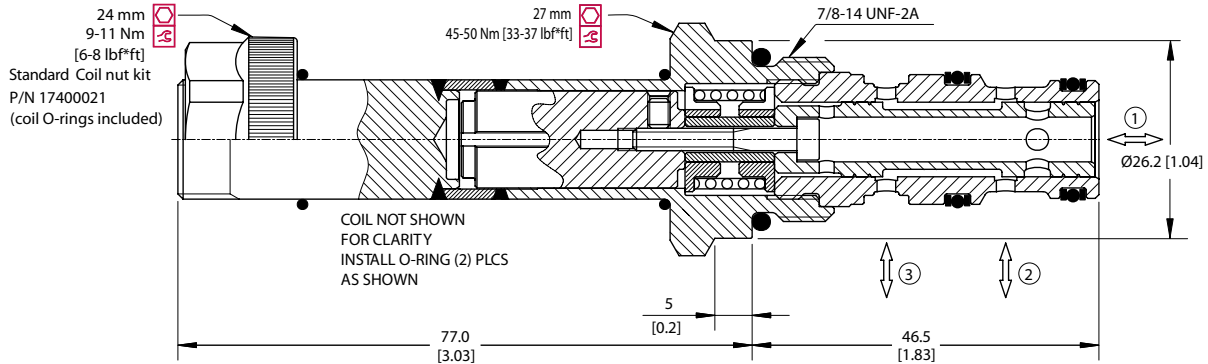
### SV10-23-04



### DIMENSIONS

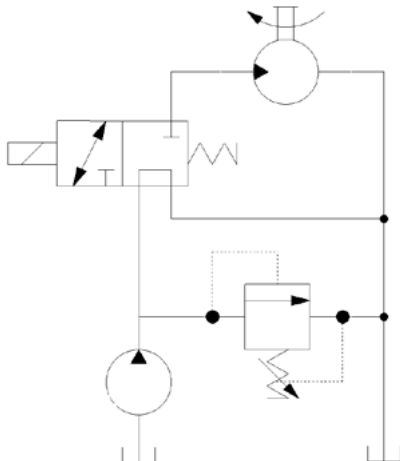
mm [in]

### Cross-sectional view

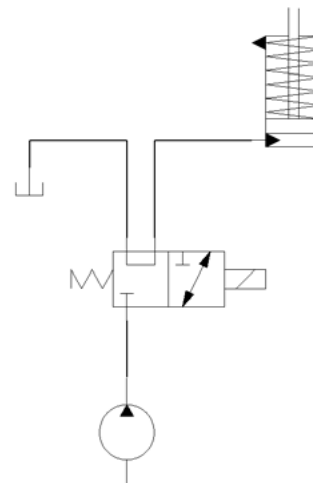


### EXAMPLE CIRCUITS

#### Uni-directional Motor



#### Single Acting Cylinder



### ORDERING INFORMATION

**SV10 - 23 - 04 - 12D - DE - B - 00**

Solenoid Valve, 10 Size Cavity

23:  
2 Position, 3 Way, Spool Type

04:  
Schematic: Pull Type

Code	Body and Ports	Body Nomenclature
00	Cartridge Only	No Body
6S	#6 SAE, AL	CP10-3-6S
8S	#8 SAE, AL	CP10-3-8S
S8S	#8 SAE, Steel	CP10-3-S8S
L3B	3/8 BSP, AL	SDC10-3-SE3B
L4B	1/2 BSP, AL	SDC10-3-SE4B
S4B	1/2 BSP, Steel	CP10-3-S4B

Seal Code	Material	Seal Kits
B	Buna-N	354004210
V	Viton	354003719

Coil Voltage	Standard Coil Code	Robust Coil Code
No Coil, with nut*	00	R00
10 VDC	10D	R10D
12 VDC	12D	R12D
20 VDC	20D	R20D
24 VDC	24D	R24D
110 VAC**	110A	-
220 VAC**	220A	-

Coil Termination	Standard Coil Code	IP Rating	Robust Coil Code	IP Rating
No Coil	00	-	00	-
Amp Junior	AJ	IP67	-	-
Amp Junior with Diode	AJD	IP67	-	-
AMP SuperSeal 1.5	AS	IP67	AS	IP69K
AMP SuperSeal with Diode	ASD	IP67	ASDB	IP69K
Deutsch	DE	IP67	DE	IP69K
Deutsch with Diode	DED	IP67	DEDB	IP69K
Flying Leads	FL	IP65	FL	IP69K
Flying Leads with Diode	FLD	IP65	FLDB	IP69K
DIN 43650	DN	IP65	-	-
Metri-Pack 150 Type 2	-	-	M3	IP69K
Metri-Pack 150 with Diode	-	-	M3DB	IP69K

\* Standard coil – plastic nut and O-rings;  
R-coil – steel nut P/N 173804910  
(no coil O-rings needed)

\*\* DIN only - external rectifier needed