



Solenoid Valves Technical Information

4 Way, 2 Position Spool

SV15-24-01



OPERATION

Solenoid Valve, Spool Type, 2-Position, 4-Way, High Flow (15-Size). When de-energized, the SV15-24-01 allows flow from port 3 to port 2, and from port 4 to port 1. When energized, the spool shifts to allow flow from port 3 to port 4, and from port 2 to port 1. Follow the "Operating Envelope" limits to ensure shifting of the valve during operation. This valve is a direct replacement for EDH 12/4205 and uses a metric M33x2 cavity (NCS 12/4) for high flow capability.

APPLICATIONS

These spool-type valves are primarily used in mobile and industrial applications for controlling the direction of the flow in a circuit, like motors or cylinders. Spool valves will have some leakage due to spool clearance, so if your application requires no leakage at the working port(s), apply a low leakage poppet valve(s), like PO check valve, counterbalance valve, etc., in addition to this solenoid valve. Use the optional screen to help protect the actuator from large particles. This valve can operate with an inlet pressure of 315 bar on port 3 for 300,000 cycles. Port 1 is not intended for use as inlet (Tank only).



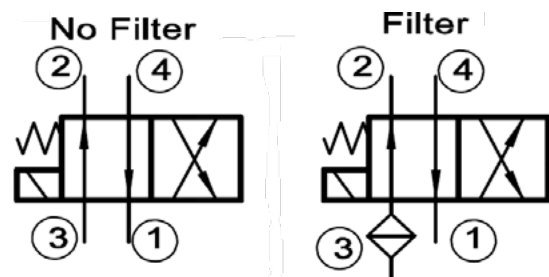
Shown with Standard Coil, DIN Connector

SPECIFICATIONS

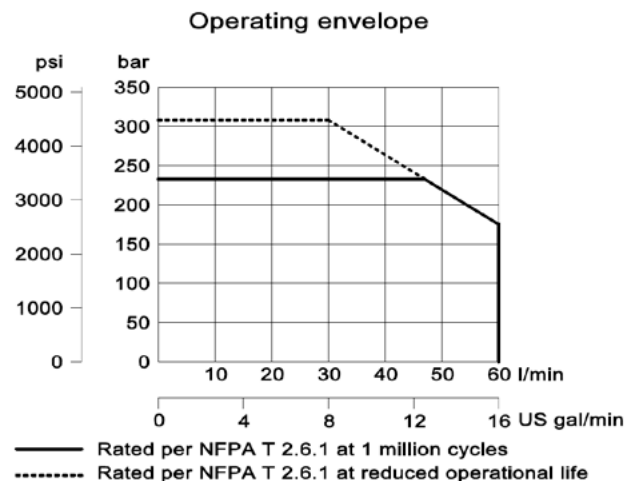
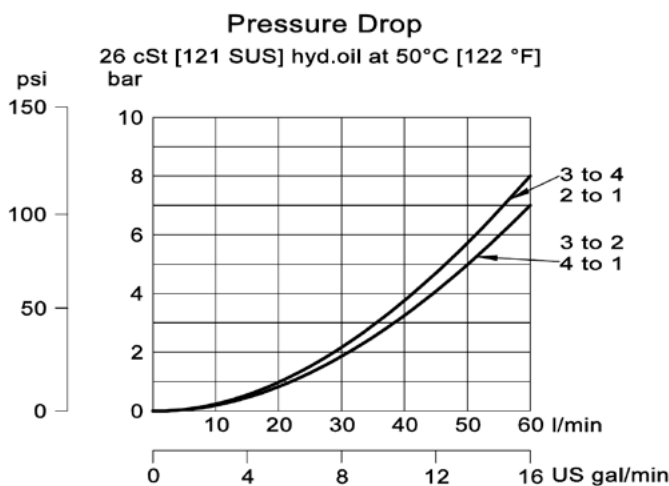
Rated Pressure*	210 bar [3045 psi]**
Maximum Rated Flow at 7 bar [100 psi]	60 l/min [16 US gal/min]
Weight including coil	0.95 kg [2.09 lbs]
Cavity	NCS 12/4
Coil	M19 33 Watt
Diode (Optional)	Unidirectional

* Rated Pressure based on NFPA fatigue test standards (at 1 Million Cycles).

SCHEMATIC



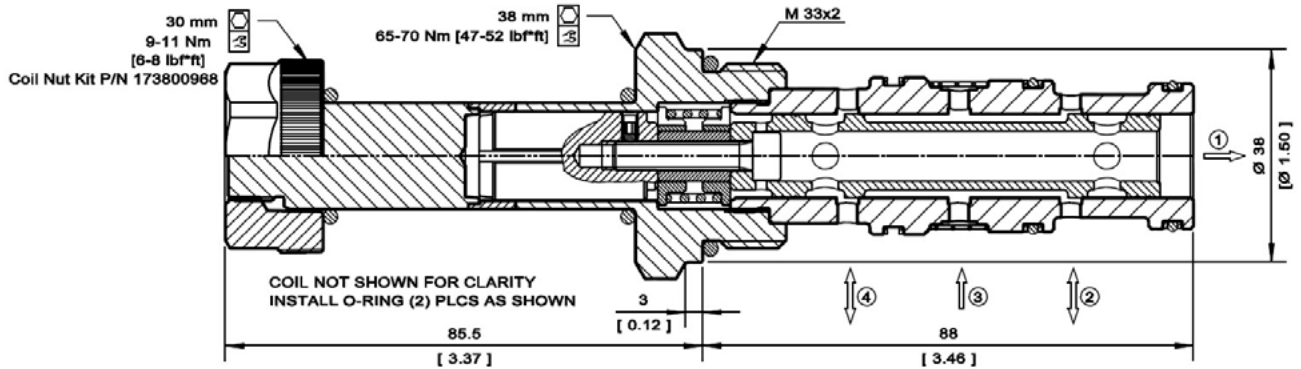
PERFORMANCE CURVES



DIMENSIONS

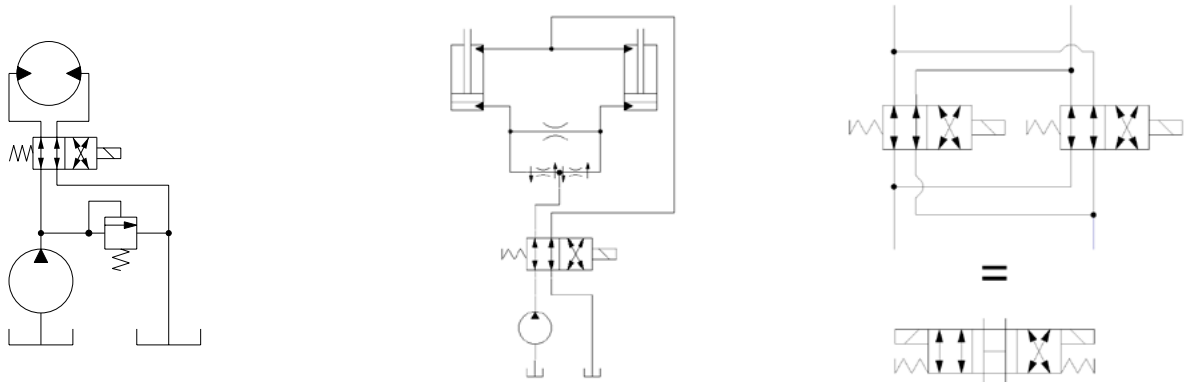
mm [in]

Cross-sectional view



EXAMPLE CIRCUITS

Motor directional control



ORDERING INFORMATION

SV15 - 24 - 01 - 12D - DE - B - F - 00

Solenoid Valve, Spool
Type, 15 Size Cavity

24:
2 Position, 4 Way

01:
Schematic type

Coil Voltage	Standard Coil Code
No Coil, with nut*	00
10 VDC	10D
12 VDC	12D
20 VDC	20D
24 VDC	24D
110 VAC**	110A
220 VAC**	220A

* Standard coil – plastic nut and O-rings

** External Rectifier Needed – DN termination only

Filter:
No Filter Omit
300 µm F

Code	Body and Ports	Body Nomenclature
00	Cartridge Only	No Body
8S	#8 SAE, AL	NCS 12/4-L-8S
12S	#12 SAE, AL	NCS 12/4-L-12S
4B	1/2 BSP, AL	NCS 12/4-L-1/2
6B	3/4 BSP, AL	NCS 12/4-L-3/4

Seal Code	Material	Seal Kits
B	Buna-N	11115884
V	Viton	11115885

Coil Termination	Standard Coil Code	IP Rating
No Coil	00	-
Amp Junior	AJ	IP67
Amp Junior with Diode	AJD	IP67
Deutsch	DE	IP67
Deutsch with Diode	DED	IP67
Flying Leads	FL	IP65
DIN 46650	DN	IP65