



OPERATION

This is a normally-closed, pilot-operated, poppet-style 10-size solenoid valve. When de-energized, the SVP10-NC acts as a check valve allowing flow from port 1 to port 2, and blocking flow from port 2 to port 1. When energized, the valve's poppet is shifted and allows flow from port 2 to port 1, and severely restricts from port 1 to port 2. This valve is available with an optional pull-type manual override.

APPLICATIONS

The SVP10-NC is designed to function as load holding or blocking valve in applications where low internal leakage is required. In load holding applications, the circuit should be designed so that the de-energized state is the position that is holding the load. This valve can operate at an inlet pressure of 315 bar on port 2 for 250,000 cycles.



Shown with Standard Coil, Deutsch Connector

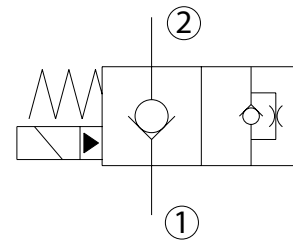
SPECIFICATIONS

Rated pressure*	230 bar [3300 psi]**
Rated flow at 7 bar [100 psi]	80 l/min [21 US gal/min]
Leakage	6 drops/min @ Rated pressure
Weight	0.43 kg [0.95 lb]
Cavity	SDC10-2
Standard Coil	M16 26 Watt
Robust Coil	R16 20 Watt Robust Nut P/N 173804910 (no coil O-rings needed)

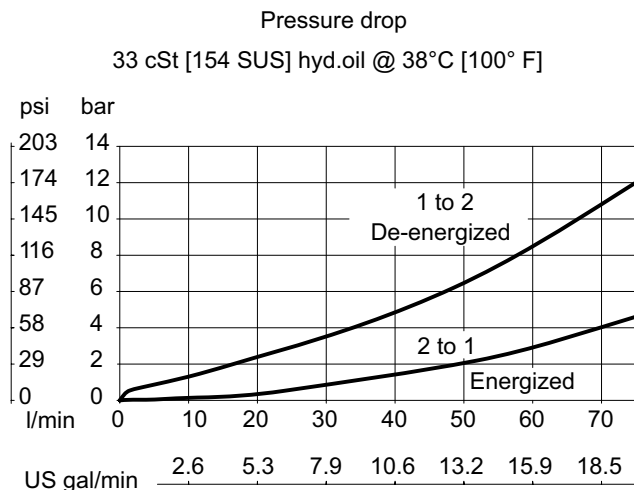
* Rated Pressure based on NFPA fatigue test standards (at 1 Million Cycles).

** See 315 bar pressure rating note on page 10.

SCHEMATIC



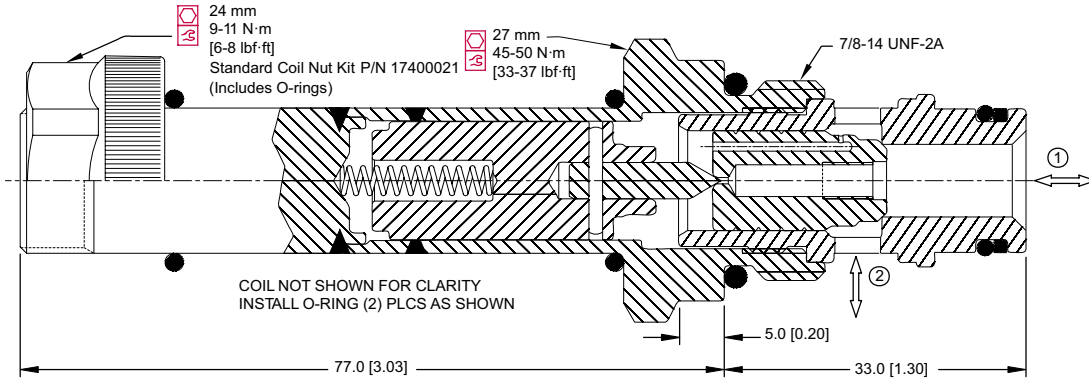
PERFORMANCE CURVES



DIMENSIONS

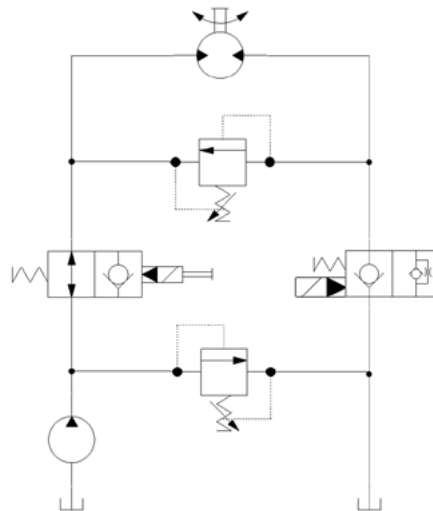
mm [in]

Cross-sectional view



EXAMPLE CIRCUITS

On/Off Motor Circuit



ORDERING INFORMATION

SVP10 - NC - 12D - DE - M - B - F - 00

Solenoid Valve,
Poppet Type, 10
Size Cavity

NC:
Normally Closed, Pull Type

Filter:
No Filter
Filter 300 µm
Omit
F

Code	Body and Ports	Body Nomenclature
00	Cartridge Only	No Body
6S	#6 SAE, AL	CP10-2-6S
8S	#8 SAE, AL	CP10-2-8S
S8S	#8 SAE, Steel	CP10-2-S8S
DG3B	3/8 BSP, AL	SDC10-2-DG3B
DG4B	1/2 BSP, AL	SDC10-2-DG4B
S4B	1/2 BSP, Steel	CP10-2-S4B

Seal Code	Material	Seal Kits
B	Buna-N	354000719
V	Viton	354000819

Coil Voltage	Standard Coil Code	Robust Coil Code
No Coil, with nut*	00	R00
10 VDC	10D	R10D
12 VDC	12D	R12D
20 VDC	20D	R20D
24 VDC	24D	R24D
110 VAC**	110A	-
220 VAC**	220A	-

* Standard coil – plastic nut and O-rings
R-coil – steel nut P/N 173804910
(no coil O-rings needed)

** DIN only - external rectifier needed

Coil Termination	Standard Coil Code	IP Rating	Robust Coil Code	IP Rating
No Coil	00	-	00	-
Amp Junior	AJ	IP67	-	-
Amp Junior with Diode	AJD	IP67	-	-
AMP SuperSeal 1.5	AS	IP67	AS	IP69K
AMP SuperSeal with Diode	ASD	IP67	ASDB	IP69K
Deutsch	DE	IP67	DE	IP69K
Deutsch with Diode	DED	IP67	DEDB	IP69K
Flying Leads	FL	IP65	FL	IP69K
Flying Leads with Diode	FLD	IP65	FLDB	IP69K
DIN 43650	DN	IP65	-	-
Metri-Pack 150 Type 2	-	-	M3	IP69K
Metri-Pack 150 with Diode	-	-	M3DB	IP69K

Code	Manual Override
Omit	No Override
M	Pull Screw