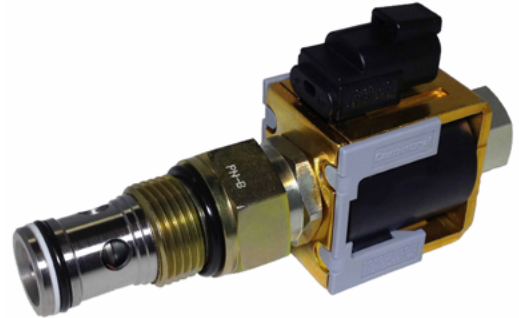


OPERATION

This is a normally-closed, pilot-operated, poppet-style 12-size solenoid valve. When de-energized, the SVP12-NC acts as a check valve allowing flow from port 1 to port 2, and blocking flow from port 2 to port 1. When energized, the valve's poppet is shifted and allows flow from port 2 to port 1, and severely restricts from port 1 to port 2.

APPLICATIONS

The SVP12-NC is designed to function as load holding or blocking valve in applications where low internal leakage is required. In load holding applications, the circuit should be designed so that the de-energized state is the position that is holding the load. This solenoid valve is a technical replacement for CP501-1.



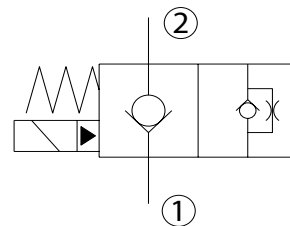
Shown with Robust Coil,
Deutsch Connector

SPECIFICATIONS

Rated pressure*	230 bar [3300 psi]*
Rated flow at 7 bar [100 psi]	114 l/min [30 US gal/min]
Leakage	6 drops/min @ Rated pressure
Weight	0.67 kg [1.47 lb]
Cavity	CP12-2
Standard Coil	M16 26 Watt
Robust Coil	R16 20 Watt Robust Nut P/N 173804910 (no coil O-rings needed)

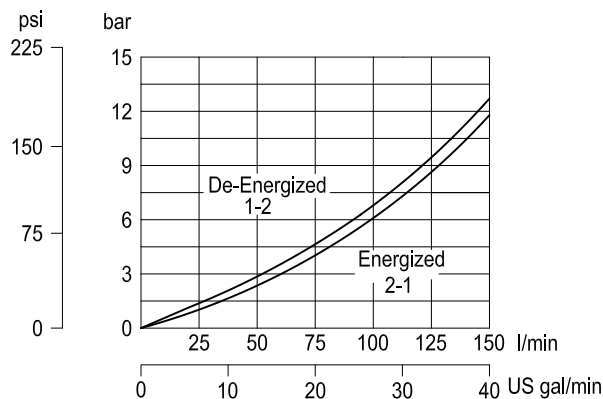
* Rated Pressure based on NFPA fatigue test standards (at 1 Million Cycles).

SCHEMATIC



PERFORMANCE CURVES

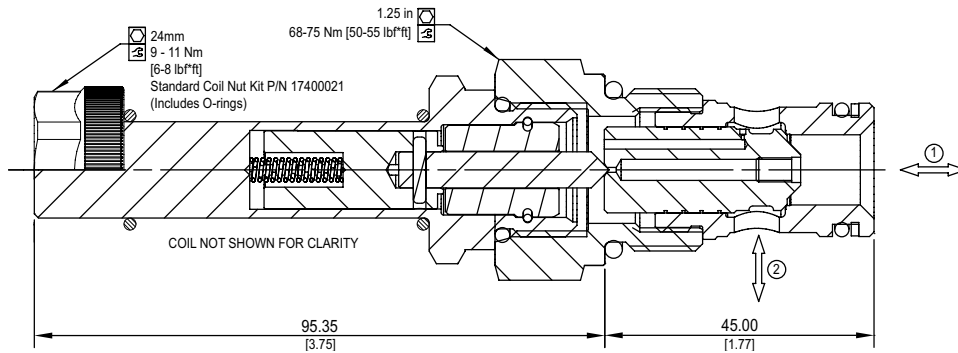
Pressure Drop
26 cSt [121 SUS] hyd.oil at 50C [122F]



DIMENSIONS

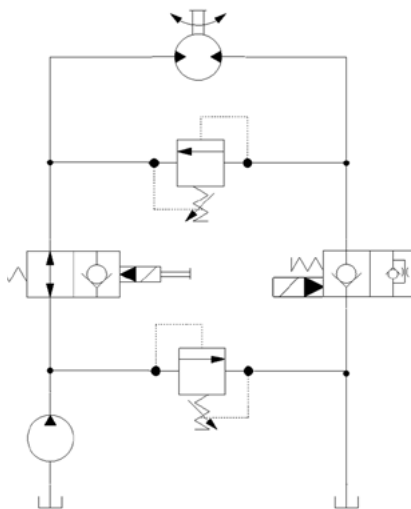
mm [in]

Cross-sectional view



EXAMPLE CIRCUITS

On/Off Motor Circuit



ORDERING INFORMATION

SVP12 - NC - 12D - DE - XC - B - 00

Solenoid Valve
Normally-Closed, Pilot Operated,
12 Size, Poppet Type

Coil Voltage		
Description	Standard Coil Code	Robust Coil Code
No Coil, with nut*	00	R00
10 VDC	10D	R10D
12 VDC	12D	R12D
20 VDC	20D	R20D
24 VDC	24D	R24D
110 VAC**	110A	-
220 VAC**	220A	-

Coil Termination				
Type	Standard Coil Code	IP Rating	Robust Coil Code	IP Rating
No Coil	00	-	R00	-
Amp Junior	AJ	IP67	-	-
Amp Junior with Diode	AJD	IP67	-	-
AMP SuperSeal 1.5	AS	IP67	AS	IP69K
AMP SuperSeal with Diode	ASD	IP67	ASDB	IP69K
Deutsch	DE	IP69K	DE	IP69K
Desutch with Diode	DED	IP69K	DEDB	IP69K
Flying Leads	FL	IP65	FL	IP69K
Flying Leads with Diode	FLD	IP65	FLDB	IP69K
DIN 43650	DN	IP65	-	-
Metri-Pack 150 Type 2	-	-	M3	IP69K
Metri-Pack 150 with Diode	-	-	M3DB	IP69K

Bodies		
Code	Ports & Material	Body Nomenclature
00	Cartridge Only	No Body
10S	#10 SAE, AL	CP12-2-10S
S10S	#10 SAE, DUCTILE	CP12-2-S10S
12S	#12 SAE, AL	CP12-2-12S
S12S	#12 SAE, DUCTILE	CP12-2-S12S
4B	1/2 BSP, AL	CP12-2-4B
S4B	1/2 BSP, DUCTILE	CP12-2-S4B
6B	3/4 BSP, AL	CP12-2-6B
S6B	3/4 BSP, DUCTILE	CP12-2-S6B

**Aluminum bodies are to be used for pressures less than 210 bar (3,000 PSI)

Seal Option		
Code	Material	Seal Kits
B	Buna	120017
V	Viton	120018

Manual Override	
Code	Description
XC	No Override