

OPERATION

This is a normally-closed, pilot-operated, poppet-style 16-size solenoid valve. When de-energized, the SVP16-NC acts as a check valve allowing flow from port 1 to port 2, and blocking flow from port 2 to port 1. When energized, the valve's poppet is shifted and allows flow from port 2 to port 1, and severely restricts from port 1 to port 2.

APPLICATIONS

The SVP16-NC is designed to function as load holding or blocking valve in applications where low internal leakage is required. In load holding applications, the circuit should be designed so that the de-energized state is the position that is holding the load. This solenoid valve is a technical replacement for CP502-1.



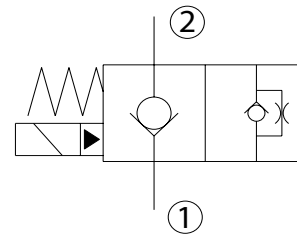
Shown with Robust Coil,
Deutsch Connector

SPECIFICATIONS

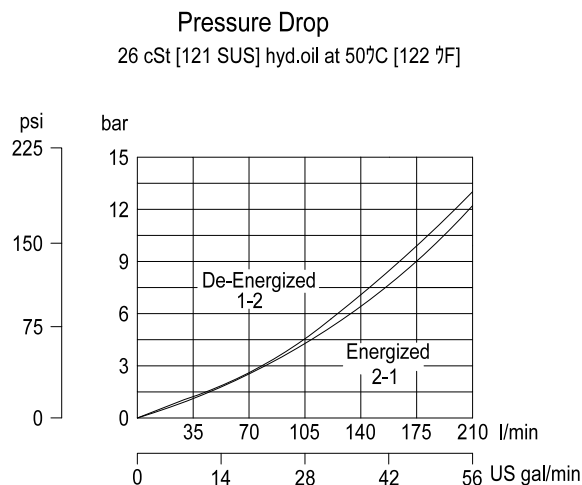
Rated pressure*	230 bar [3300 psi]*
Rated flow at 7 bar [100 psi]	152 l/min [40 US gal/min]
Leakage	6 drops/min @ Rated pressure
Weight	.75 kg [1.6 lb]
Cavity	SDC16-2
Standard Coil	M16 26 Watt
Robust Coil	R16 20 Watt Robust Nut P/N 173804910 (no coil O-rings needed)

* Rated Pressure based on NFPA fatigue test standards (at 1 Million Cycles).

SCHEMATIC



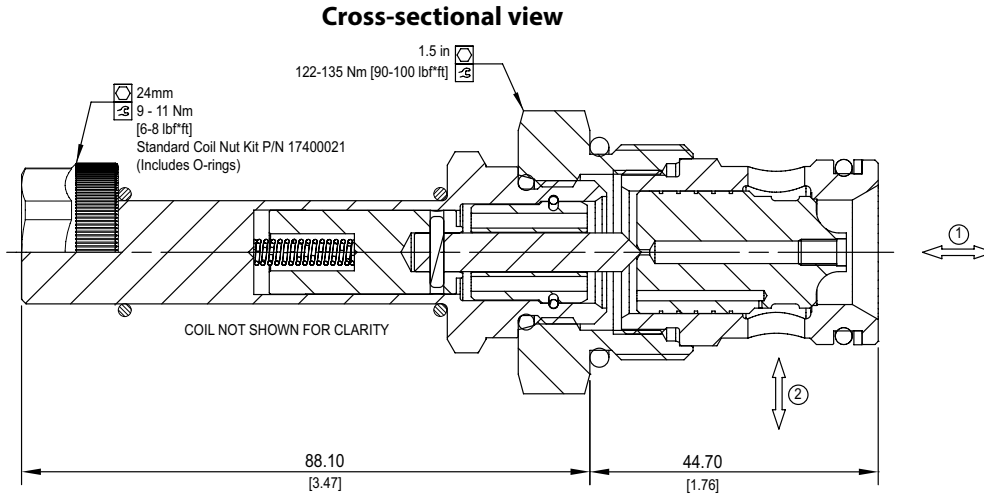
PERFORMANCE CURVES





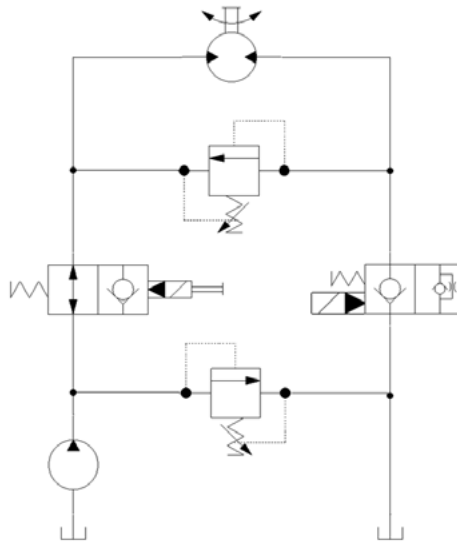
DIMENSIONS

mm [in]



EXAMPLE CIRCUITS

On/Off Motor Circuit



ORDERING INFORMATION

SVP16 - NC - 12D - DE - XC - B - 00

Solenoid Valve
Normally-Closed, Pilot Operated,
16 Size, Poppet Type

Coil Voltage		Coil Termination	
Description	Standard Coil Code	Standard Coil Code	Robust Coil Code
No Coil, with nut*	00	00	R00
10 VDC	10D	AJ	R10D
12 VDC	12D	AJD	R12D
20 VDC	20D	AS	R20D
24 VDC	24D	ASD	R24D
110 VAC**	110A	DE	-
220 VAC**	220A	DED	-

Type	Standard Coil Code	IP Rating	Robust Coil Code	IP Rating
No Coil	00	-	R00	-
Amp Junior	AJ	IP67	-	-
Amp Junior with Diode	AJD	IP67	-	-
AMP SuperSeal 1.5	AS	IP67	AS	IP69K
AMP SuperSeal with Diode	ASD	IP67	ASDB	IP69K
Deutsch	DE	IP69K	DE	IP69K
Desutch with Diode	DED	IP69K	DEDB	IP69K
Flying Leads	FL	IP65	FL	IP69K
Flying Leads with Diode	FLD	IP65	FLDB	IP69K
DIN 43650	DN	IP65	-	-
Metri-Pack 150 Type 2	-	-	M3	IP69K
Metri-Pack 150 with Diode	-	-	M3DB	IP69K

Code	Ports & Material	Body Nomenclature
00	Cartridge Only	No Body
12S	#12 SAE, AL	SCD16-2-12S
S12S	#12 SAE, DUCTILE	SDC16-2-S12S
16S	#16 SAE, AL	SDC16-2-16S
S16S	#16 SAE, DUCTILE	SDC16-2-S16S
6B	3/4 BSP, AL	SDC16-2-6B
S6B	3/4 BSP, DUCTILE	SDC16-2-S6B
8B	1 BSP, AL	SDC16-2-8B
S8B	1 BSP, DUCTILE	SDC16-2-S8B

**Aluminum bodies are to be used for pressures less than 210 bar (3,000 PSI)

Seal Option		
Code	Material	Seal Kits
B	Buna	120019
V	Viton	120020

Manual Override	
Code	Description
XC	No Override