

OPERATION

This is a normally open, pilot-operated, poppet-type 16-size solenoid valve. When de-energized, the SVP16-NO severely restricts flow from port 1 to port 2, while allowing flow from port 2 to 1. When energized, the valve's poppet is shifted to block flow from port 2 to port 1, and allow reverse flow between port 1 to port 2 at a high pressure drop. This valve comes standard with a push pin type manual override.



Shown with Robust Coil, Deutsch Connector

APPLICATIONS

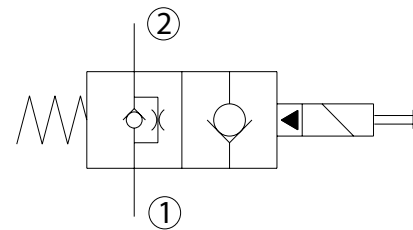
This valve is designed for use for uni-directional blocking, load holding, clamping or gripping applications in hydraulic circuits where low internal leakage is required. This solenoid valve is a technical replacement for CP502-2.

SPECIFICATIONS

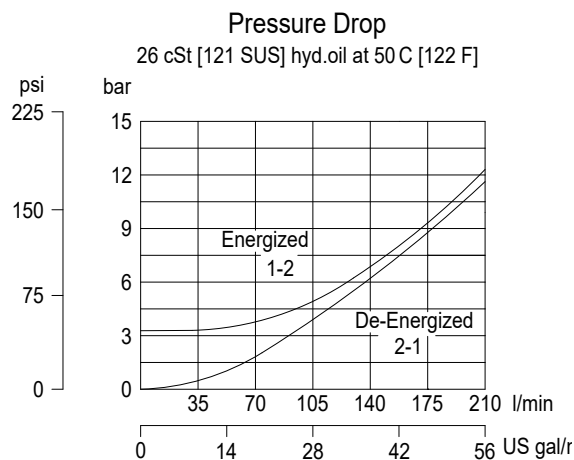
Rated pressure*	230 bar [3300 psi]*
Rated flow at 7 bar [100 psi]	152 l/min [40 US gal/min]
Leakage	6 drops/min @ Rated pressure
Weight	0.73 kg [1.61 lb]
Cavity	SDC16-2
Standard Coil	M16 26 Watt
Robust Coil	R16 20 Watt Robust Nut P/N 173804910 (no coil O-rings needed)

* Rated Pressure based on NFPA fatigue test standards (at 1 Million Cycles).

SCHEMATIC



PERFORMANCE CURVES

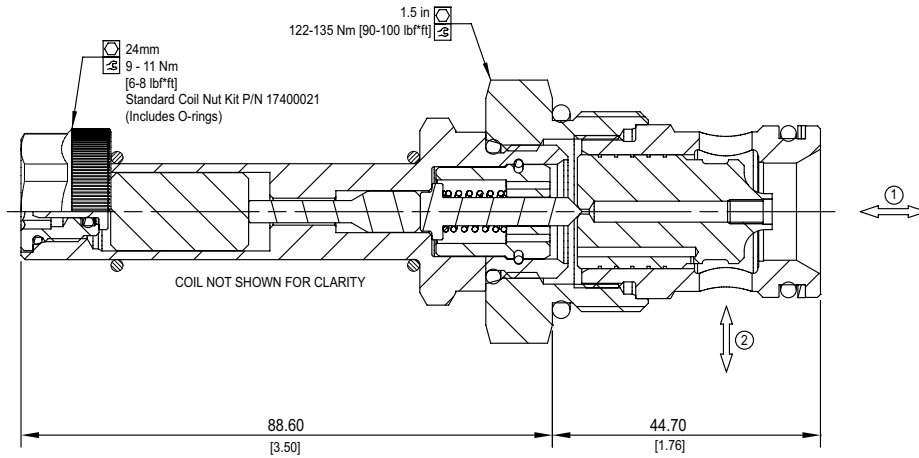




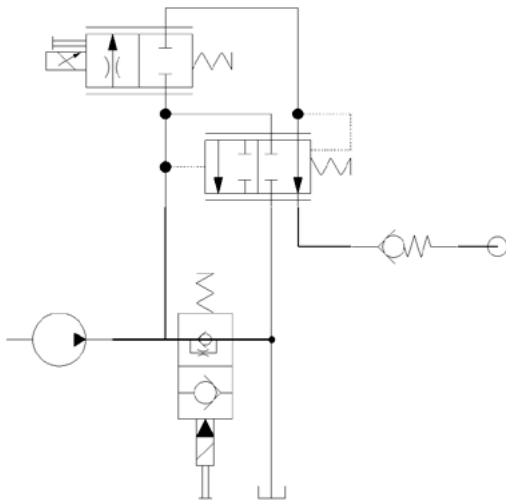
DIMENSIONS

mm [in]

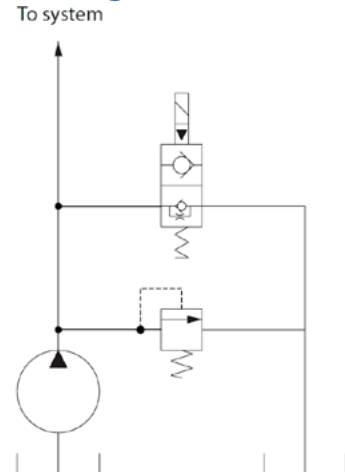
Cross-sectional view



EXAMPLE CIRCUITS



Pump unloading



ORDERING INFORMATION

SVP16 - NO - 12D - DE - PN - B - 00

Solenoid Valve
Normally-Open, Pilot Operated,
16 Size, Poppet Type

Coil Voltage	
Description	Standard Coil Code
No Coil - with nut*	00
10 VDC	10D
12 VDC	12D
20 VDC	20D
24 VDC	24D
110 VAC**	110A
220 VAC**	220A

Coil Termination	
Type	Standard Coil Code
No Coil	00
Amp Junior	AJ
Amp Junior with Diode	AJD
AMP SuperSeal 1.5	AS
AMP SuperSeal with Diode	ASD
Deutsch	DE
Desutch with Diode	DED
Flying Leads	FL
Flying Leads with Diode	FLD
DIN 43650	DN
Metri-Pack 150 Type 2	-
Metri-Pack 150 with Diode	-

Bodies	
Code	Ports & Material
00	Cartridge Only
12S	#12 SAE, AL
S12S	#12 SAE, DUCTILE
16S	#16 SAE, AL
S16S	#16 SAE, DUCTILE
6B	3/4 BSP, AL
S6B	3/4 BSP, DUCTILE
8B	1 BSP, AL
S8B	1 BSP, DUCTILE

Body Nomenclature

Code	Ports & Material	Body Nomenclature
00	Cartridge Only	No Body
12S	#12 SAE, AL	SCD16-2-12S
S12S	#12 SAE, DUCTILE	SDC16-2-S12S
16S	#16 SAE, AL	SDC16-2-16S
S16S	#16 SAE, DUCTILE	SDC16-2-S16S
6B	3/4 BSP, AL	SDC16-2-6B
S6B	3/4 BSP, DUCTILE	SDC16-2-S6B
8B	1 BSP, AL	SDC16-2-8B
S8B	1 BSP, DUCTILE	SDC16-2-S8B

**Aluminum bodies are to be used for pressures less than 210 bar (3,000 PSI)

Seal Option		
Code	Material	Seal Kits
B	Buna	120019
V	Viton	120020

Manual Override	
Code	Description
PN	Push Pin
OPS	Push Pin Override with Nut for Protection & Actuation