

OPERATION

This is a normally-open, pilot-operated, poppet-type 16-size solenoid valve with free reverse flow. When de-energized the valve allows flow from port 1 to 2 and from port 2 to 1. When energized, the pilot poppet closes allowing the valve to act as a check valve flowing from port 1 to port 2, while blocking flow from port 2 to 1. This valve comes standard with a push pin type manual override.



Shown with Robust Coil,
Deutsch Connector

APPLICATIONS

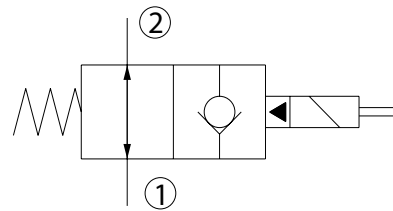
This is a low leakage valve designed for use in load holding applications or as a general purpose diverter or dump valve. This solenoid valve is a technical replacement for CP502-4.

SPECIFICATIONS

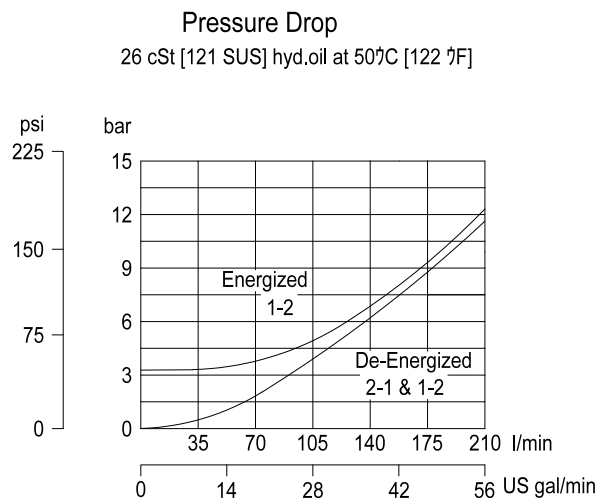
Rated pressure*	230 bar [3300 psi]*
Rated flow at 7 bar [100 psi]	152 l/min [40 US gal/min]
Leakage	6 drops/min @ Rated pressure
Weight	0.73 kg [1.61 lb]
Cavity	SDC16-2
Standard Coil	M16 26 Watt
Robust Coil	R16 20 Watt Robust Nut P/N 173804910 (no coil O-rings needed)

* Rated Pressure based on NFPA fatigue test standards (at 1 Million Cycles).

SCHEMATIC



PERFORMANCE CURVES





Solenoid Valves Technical Information

2-Way Poppet

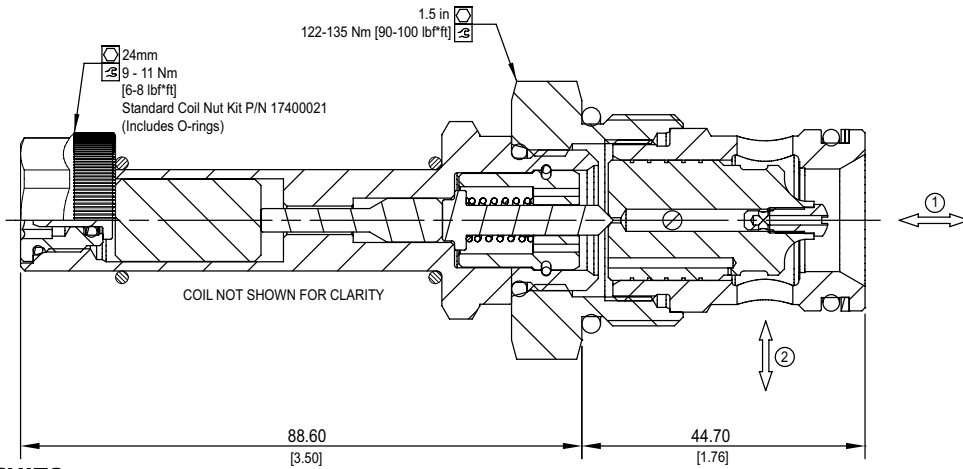
SVP16-NOR



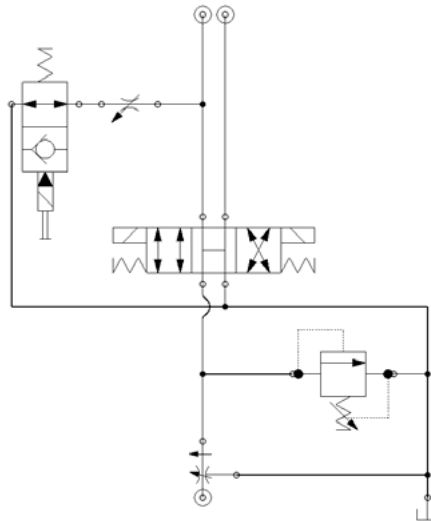
DIMENSIONS

mm [in]

Cross-sectional view



EXAMPLE CIRCUITS



ORDERING INFORMATION

Solenoid Valve
Normally-Open, Pilot Operated,
Free Reverse Flow, 16 Size,
Poppet Type

SVP16 - NOR - 12D - DE - PN - B - 00

Coil Voltage		
Description	Standard Coil Code	Robust Coil Code
No Coil, with nut*	00	R00
10 VDC	10D	R10D
12 VDC	12D	R12D
20 VDC	20D	R20D
24 VDC	24D	R24D
110 VAC**	110A	-
220 VAC**	220A	-

*Standard coil - plastic nut and O-rings
R-coil - steel nut P/N 173804910
(no coil O-rings needed)
**DIN only - external rectifier needed

Coil Termination					
Type	Standard Coil Code	IP Rating	Robust Coil Code	IP Rating	
No Coil	00	-	R00	-	
Amp Junior	AJ	IP67	-	-	
Amp Junior with Diode	AJD	IP67	-	-	
AMP SuperSeal 1.5	AS	IP67	AS	IP69K	
AMP SuperSeal with Diode	ASD	IP67	ASDB	IP69K	
Deutsch	DE	IP69K	DE	IP69K	
Desutch with Diode	DED	IP69K	DEDB	IP69K	
Flying Leads	FL	IP65	FL	IP69K	
Flying Leads with Diode	FLD	IP65	FLDB	IP69K	
DIN 43650	DN	IP65	-	-	
Metri-Pack 150 Type 2	-	-	M3	IP69K	
Metri-Pack 150 with Diode	-	-	M3DB	IP69K	

Bodies		
Code	Ports & Material	Body Nomenclature
00	Cartridge Only	No Body
12S	#12 SAE, AL	SCD16-2-12S
S12S	#12 SAE, DUCTILE	SDC16-2-S12S
16S	#16 SAE, AL	SDC16-2-16S
S16S	#16 SAE, DUCTILE	SDC16-2-S16S
6B	3/4 BSP, AL	SDC16-2-6B
S6B	3/4 BSP, DUCTILE	SDC16-2-S6B
8B	1 BSP, AL	SDC16-2-8B
S8B	1 BSP, DUCTILE	SDC16-2-S8B

**Aluminum bodies are to be used for pressures less than 210 bar (3,000 PSI)

Seal Option		
Code	Material	Seal Kits
B	Buna	120019
V	Viton	120020

Manual Override	
Code	Description
PN	Push Pin
OPS	Push Pin Override with Nut for Protection & Actuation