

Data Sheet

Danfoss Ally™ Starter Pack Containing Gateway & Radiator Thermostat

Application



The Danfoss Ally™ Gateway is a programmable, wireless control system that connects all the Danfoss Ally™ devices to the internet and intelligently controls your heating via a free app downloadable from Google Play and App Store.

The power supply and LAN cable for the internet connection are included.

- Controls the daily heating schedule for every room allowing quick and easy adjustments to be made.

- The Pre-Heat function is used to ensure you have the right temperature when you want it. When Pre-Heat function is "On" it means that, it is ramping up to the next scheduled At Home mode.

- The Danfoss Ally™ Gateway software is automatically updated from the internet.

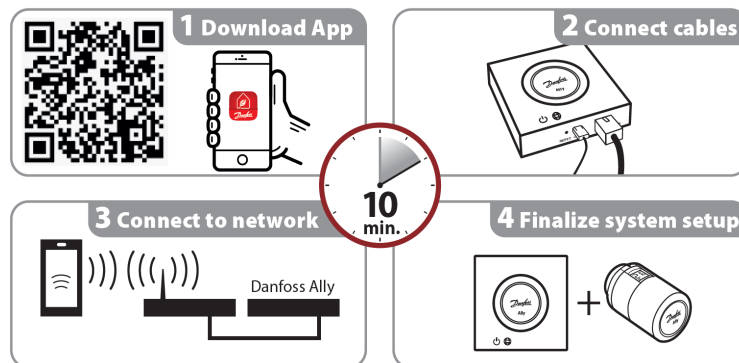
The number of each type of unit for one system must not exceed:

Danfoss Ally™ Gateway	1 unit
Danfoss Ally™ Radiator Thermostat	32 units
Danfoss Icon™ Master Controller	3 units
Danfoss Zigbee Repeater	>10 units




Ordering




Product	Installation Guide - Languages	Code no.
Danfoss Ally™ Starter Pack	EN, DE, DA, FR, IT, PL, CS	014G2440

Easy Installation



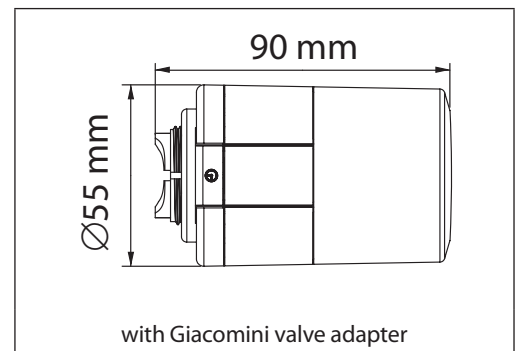
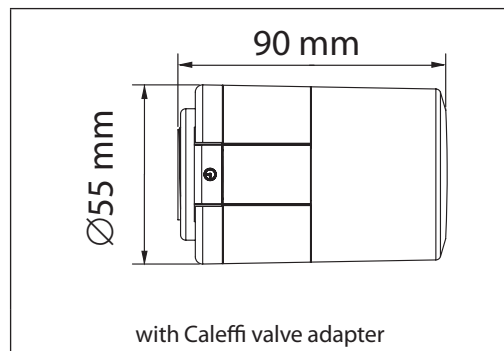
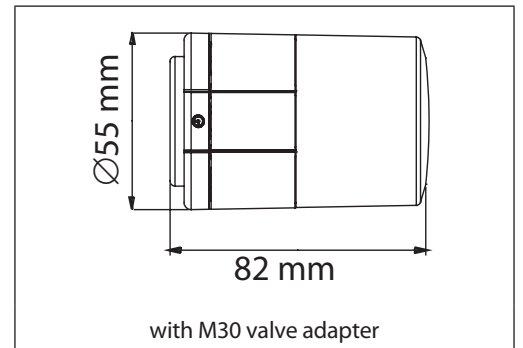
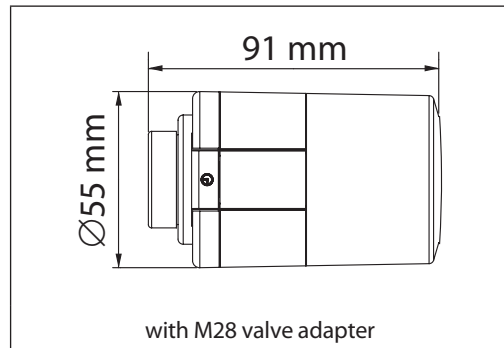
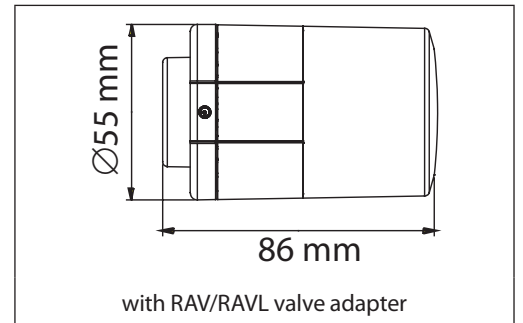
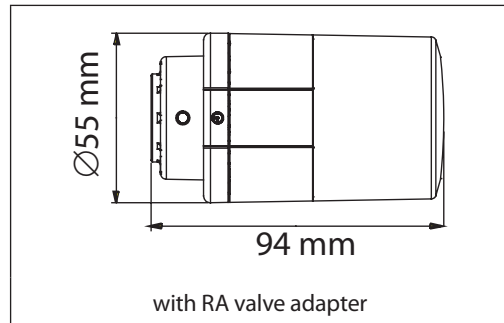
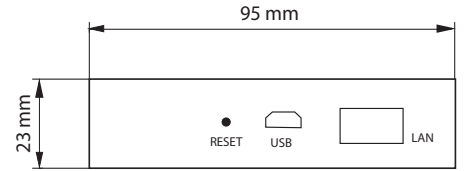
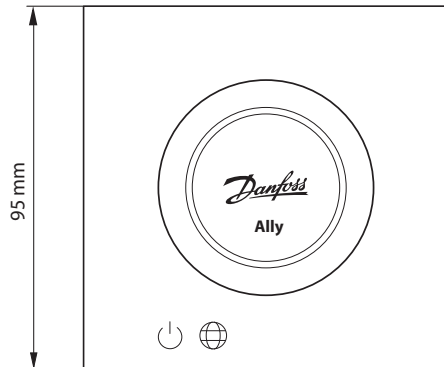
Technical Specifications

Danfoss Ally™ Gateway	
Device Function	Smart Home Gateway
Recommended Use	Residential indoor (pollution degree 2)
Application	Radiators, water-based floor heating
LED Indicators (green)	Power/Status, Network Connection
Button	Press Reset Button for 5 sec. to perform factory reset
Power Supply	5 VDC
Adaptor	110 V ~ 240 VAC, 5V 1A DC
Power Consumption / Standby	< 5 W / < 2 W
Wired Communication	10/100M Ethernet Port (RJ45, LAN)
Wireless Communication	Zigbee / IEEE 802.15.4
Transmission Frequency / Power	2.4 GHz / < 20 dBm (79 mW)
Transmission range inside buildings	up to 30 m
Firmware Update	Support for over the air updates
Operation Temperature	-10 °C to 55 °C
Storage Temperature	-20 °C to 60 °C
Size	95 mm x 95 mm x 23 mm
IP class	20
Integrations	Amazon Alexa, Google Assistant, Partner API
Approval, markings etc.	  

Danfoss Ally™ Radiator Thermostat	
Thermostat type	Programmable electronic radiator valve controller
Recommended use	Residential (pollution degree 2)
Actuator	Electromechanical
Display	LCD with white backlight
Software classification	A
Control	PID
Power supply	2 x 1.5 V alkaline AA batteries
Power consumption	3 mW in standby, 1.2 W when active
Trasmission Frequency / Power	2,4 GHz / < 40 mW
Battery life	Up to 2 years
Low battery signal	Battery icon will flash in display.
Ambient temperature range	0 to 40 °C
Transportation temperature range	-20 to 65 °C
Maximum water temperature	90 °C
Temperature setting range	5 to 35 °C
Clock accuracy	+/- 10 min/year
Spindle movement	Linear, up to 4.5 mm, max. 2 mm on valve (1 mm/s)
Noise level	<30 dBA
Safety classification	Type 1
Open-window function	Activated at temperature decrease or by ZigBee command
Weight (incl. batteries)	198 g (with RA adapter)
IP class	20 (not to be used in hazardous installations or in places where it will be exposed to water)
Integrations*	Partner API, Google Assistant, Amazon Alexa
Approvals, markings etc.	  

* Requires Danfoss Ally™ Gateway

Dimensions



Danfoss A/S

Heating Segment • danfoss.com • +45 7488 2222 • E-Mail: heating@danfoss.com

Danfoss can accept no responsibility for possible errors in catalogues, brochures and other printed material. Danfoss reserves the right to alter its products without notice. This also applies to products already on order provided that such alterations can be made without subsequential changes being necessary in specifications already agreed. All trademarks in this material are property of the respective companies. Danfoss and all Danfoss logotypes are trademarks of Danfoss A/S. All rights reserved.